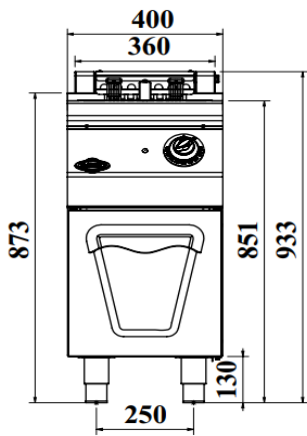


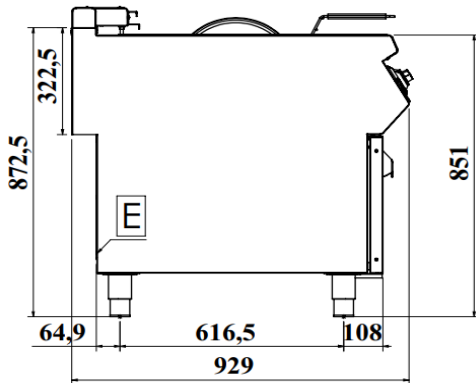
- **Product Code: EMP.PLS.9FE010**

- Thermostatic control cupboard.
- Stainless steel baskets.
- Mobile heaters provide easy cleaning.
- Safe oil drainage from the bottom via valve.
- Thermostat limit.
- Easy to clean and hygienic.
- Stainless steel body.
- Fryer container is monoblock pressed and the corners are rounded.
- Container capacity 24 litre.
- Safety thermostat is available to prevent oil from overheating.
- Two baskets in each container as standard.
- Safe and easy oil drainage provided by the bottom via valve placed at the down of oil container.

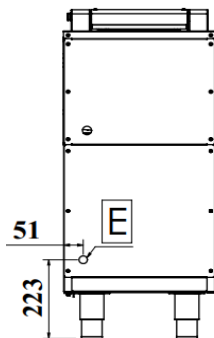
Front



Side



Back



E - Electric Inlet

Tesisat Bilgileri

Total Power	18 kW
Electric Inlet	400 V. AC 3N PE
Cable Cross Section	5 x 4

Main Information

Length	400 mm
Depth	930 mm
Height	850 mm
Weight	50 kg
m ³	35
Packed Length	480 mm
Packed Depth	1000 mm
Packed Height	1050 mm
Packed Weight	66 kg
m ³	0.50

Container Capacity 24 Litre

If this device is placed near another heat-sensitive device or near the furniture; an opening of 150 mm or heat insulation is required.