



CLIMA HOSTELERÍA

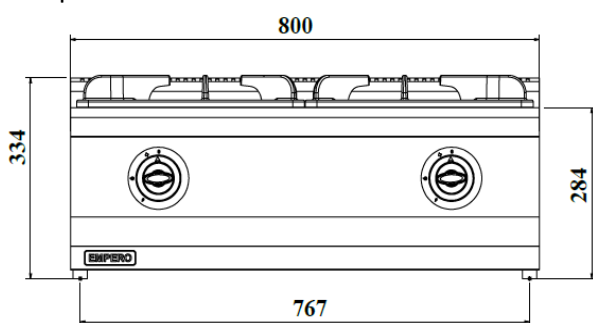


- Code: EMP:6KG020-O

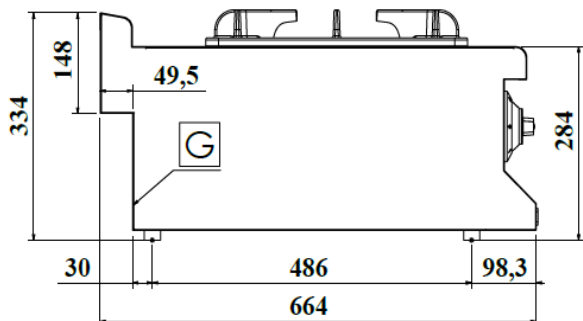
Lpg or Natural gas
Magnet safety valves
Special power grill

Easy to clean
Cast iron double ring burner
Whole exterior body stainless steel
Top plate thickness 1.5mm body 1mm stainless steel
Side angled edges
Pan and pot support in castings
Stainless steel exterior panel
High efficiency flower flame lights up with flame regulator and protected pilot light

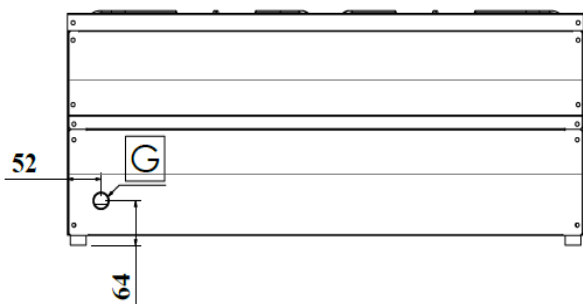
Top



Side



Back



G-Gas inlet

installation information

Power right burners	8.65 kW
Power left burners	8.65 kW
Total power	17,30 Kw
Gas consumption NG	1,83 m³/h
Gas consumption LPG	1,19 kg/h

Main information

Lenght	600 mm
Depth	664 mm
Height	285 mm
Net weight	47 kg
m³ :	0,2
Packed Lenght	900 mm
Packed depth	850 mm
Packed height	600 mm
Packed weight	57 kg

If this device is placed near the other devices that have heat sensitiveness or furniture. It has to be leaved distance minimum 150 mm or must be provided by isolation