

DESPIECE TECNICO TECHNICAL PARTS

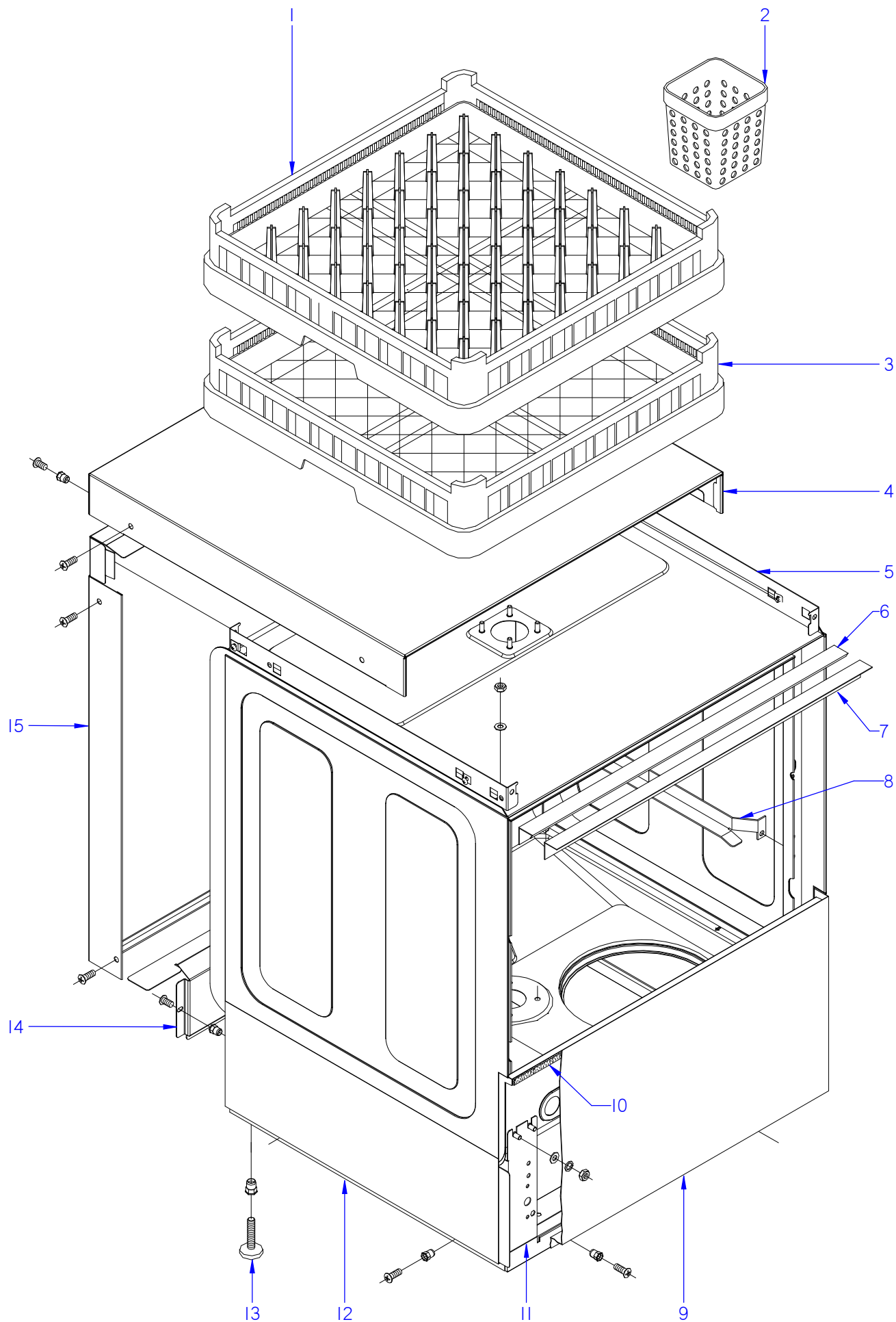
LAVAVAJILLAS DE APERTURA FRONTAL FRONT LOADING DISHWASHERS

MODELOS / MODELS

OEM 500 / B / DD / B DD / B UK / DD UK / B DD UK / HP /
HP B / HP DD / HP B DD / W DD / W B DD / W B DD UK /
HP W B DD

50Hz/60Hz

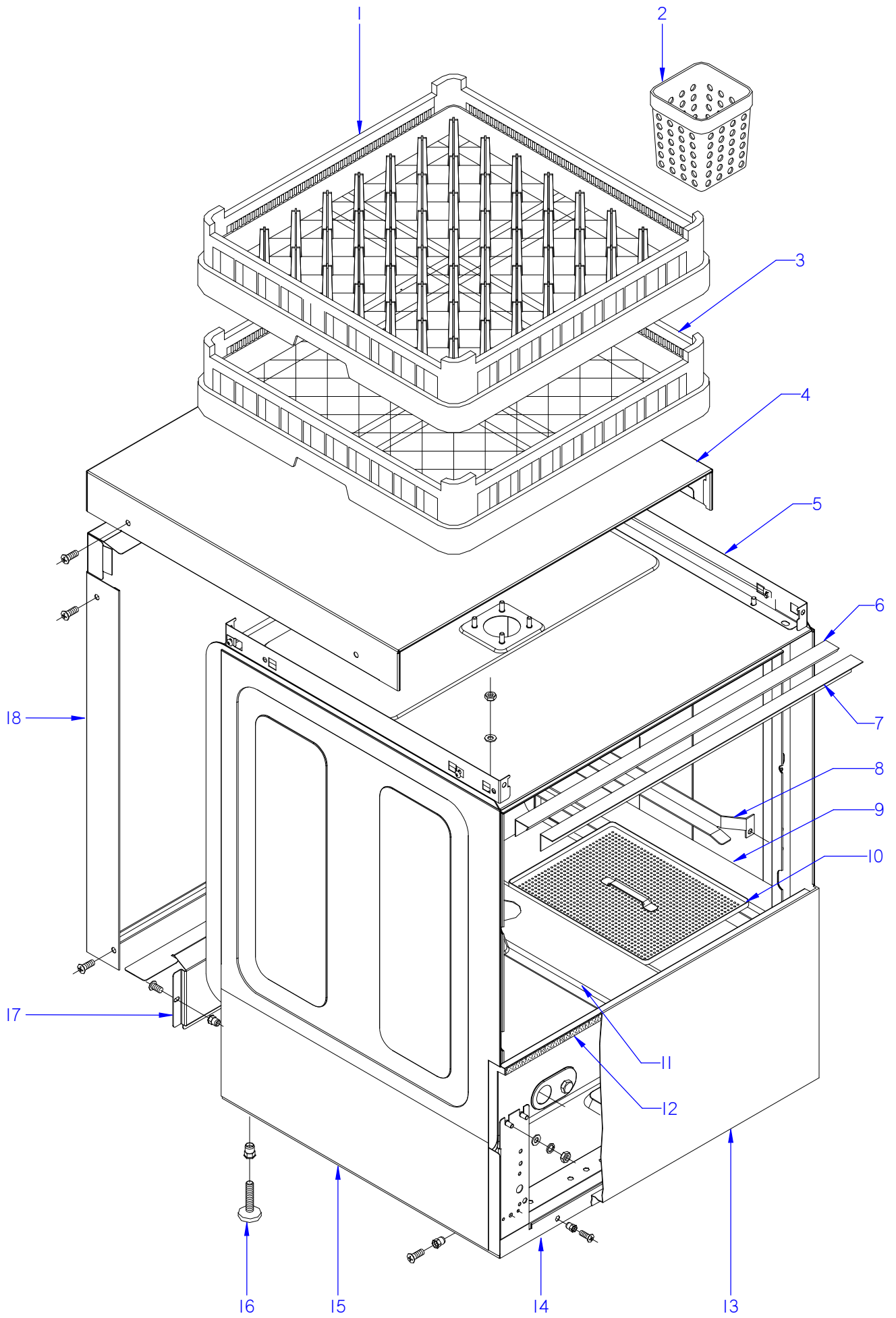
Vers. December 2017
Revised -



ITEM MARCADO EN COLOR = REPUESTO RECOMENDADO
 COLOURED ITEM = RECOMMENDED SPARE PART

| N plano | Firma | Fecha | Aparato | MUEBLE / FITTING | Lamina |
|---------|--------------------|---------|---------|------------------|--------|
| C-3168 | <i>name Benfor</i> | 2013-12 | | OEM-500 | 1 |

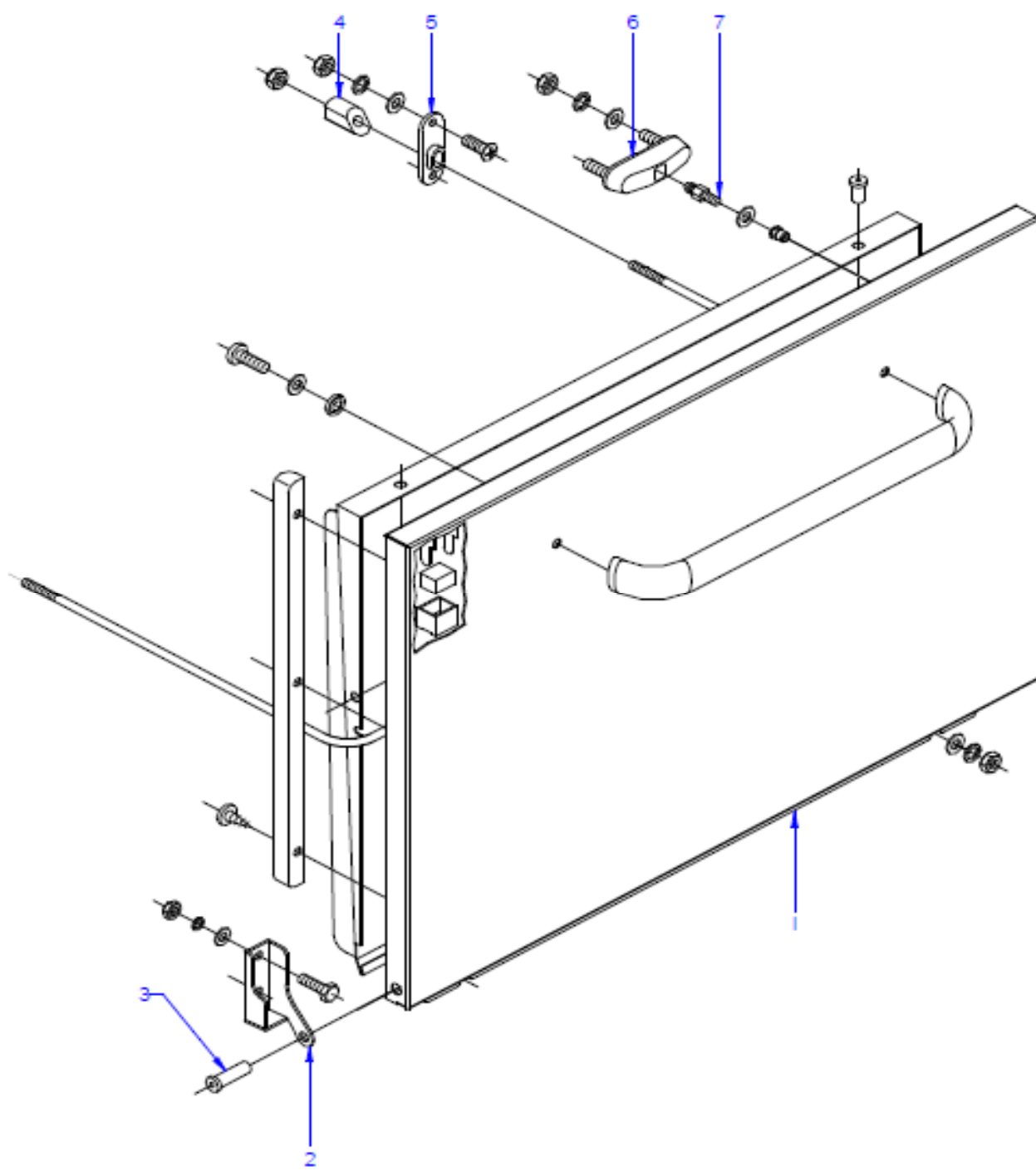
| ZONA / ZONE | | ARMAZON / FRAME | | | | | LÁMINA / DRAWING | | | | | C-3168 | | |
|-------------|-------------------------|------------------------------|----------------------------|-------------------|---------------------|--|------------------|--|--|--|-------------|-------------------------|---------------------------|------------------|
| ITEM | REFERENCIA REFERENCE | DENOMINACIÓN | DENOMINATION | OEM-500 (B/DD/UK) | OEM-500 (W/B/DD/UK) | | | | | | RECOMMENDED | ELIMINADO ELIMINATED | INTRODUCIDO INTRODUCED | NOTAS / NOTES |
| 1 | 12024990 | CESTILLO PLATOS CP-16-18 | PLATE BASKET CP-16-18 | 1 | 1 | | | | | | | | | |
| 2 | 12023745 | CESTILLO CUBIERTOS | CUTLERY BASKET | 1 | 1 | | | | | | | | | |
| 3 | 12025011 | CESTILLO BASE CT-10 | BASE BASKET CT-10 | 1 | 1 | | | | | | | | | |
| 4 | 12022912 | TAPA EASY-500 | EASY 500 LID | 1 | 1 | | | | | | | | | |
| 5 | 12104042 | SOPORTE TAPA EASY-500 | EASY 500 LID REINFORCEMENT | 2 | 2 | | | | | | | | | |
| 6 | 12024374 | PERFIL CAJA | BOX PROFILE | 1 | 1 | | | | | | | | | |
| 7 | 12022469 | ESCUADRA SUJECCION PERFIL | FASTENING BRACKET PROFILE | 1 | 1 | | | | | | | | | |
| 8 | 12022568 | GUIA CESTILLO DERECHO | RIGHT BASKET GUIDE | 1 | 1 | | | | | | | | | |
| S/Nº | 12022569 | GUIA CESTILLO IZQUIERDO | LEFT BASKET GUIDE | 1 | 1 | | | | | | | | | |
| 9 | 12022724 | PANEL FRONTAL SIN PUERTA | FRONT PANEL WITHOUT DOOR | 1 | 1 | | | | | | | | | |
| 10 | 12024174 | PERFIL GOMA ESPONJOSA | FOAM RUBBER PROFILE | 1 | 1 | | | | | | | | | |
| 11 | 12153559 | ARMAZON COMPLETO | COMPLETE FRAME | 1 | 1 | | | | | | | | | |
| 12 | 12022560 | PANEL LATERAL IZQUIERDO | LEFT SIDE PANEL | 1 | 1 | | | | | | | | | |
| S/Nº | 12022563 | PANEL LATERAL DERECHO | RIGHT SIDE PANEL | 1 | 1 | | | | | | | | | |
| 13 | 12024163 | PATA REGULABLE | ADJUSTABLE LEG | 4 | 4 | | | | | | | | | |
| 14 | 12022395 | PANEL POSTERIOR INFERIOR | REAR LOWER PANEL | 1 | - | | | | | | | | | |
| | 12022495 | PANEL POSTERIOR INFERIOR W | REAR LOWER PANEL W | - | 1 | | | | | | | | | |
| 15 | 12022740 | PANEL POSTERIOR ALU.FI-30 | ALU.FI-30 REAR PANEL | 1 | - | | | | | | | | | |
| 15 | 12152334 | PANEL POSTERIOR W | REAR PANEL UC 500 W | - | 1 | | | | | | | | | |
| S/Nº | 12025159 | DISTANCIADOR PANEL POSTERIOR | SHOCK ABSORVER | - | 2 | | | | | | | | | |
| | | | | | | | | | | | | | | |
| | | | | | | | | | | | | | | |
| | | | | | | | | | | | | | | |



ITEM MARCADO EN COLOR = REPUESTO RECOMENDADO
 COLOURED ITEM = RECOMMENDED SPARE PART

| N plano | Firma | Fecha | Aparato | MUEBLE / FITTING | Lamina |
|---------|--------------------|---------|------------------|------------------|--------|
| C-3169 | <i>name Benfor</i> | 2013-12 | OEM-500HP W B DD | | 2 |

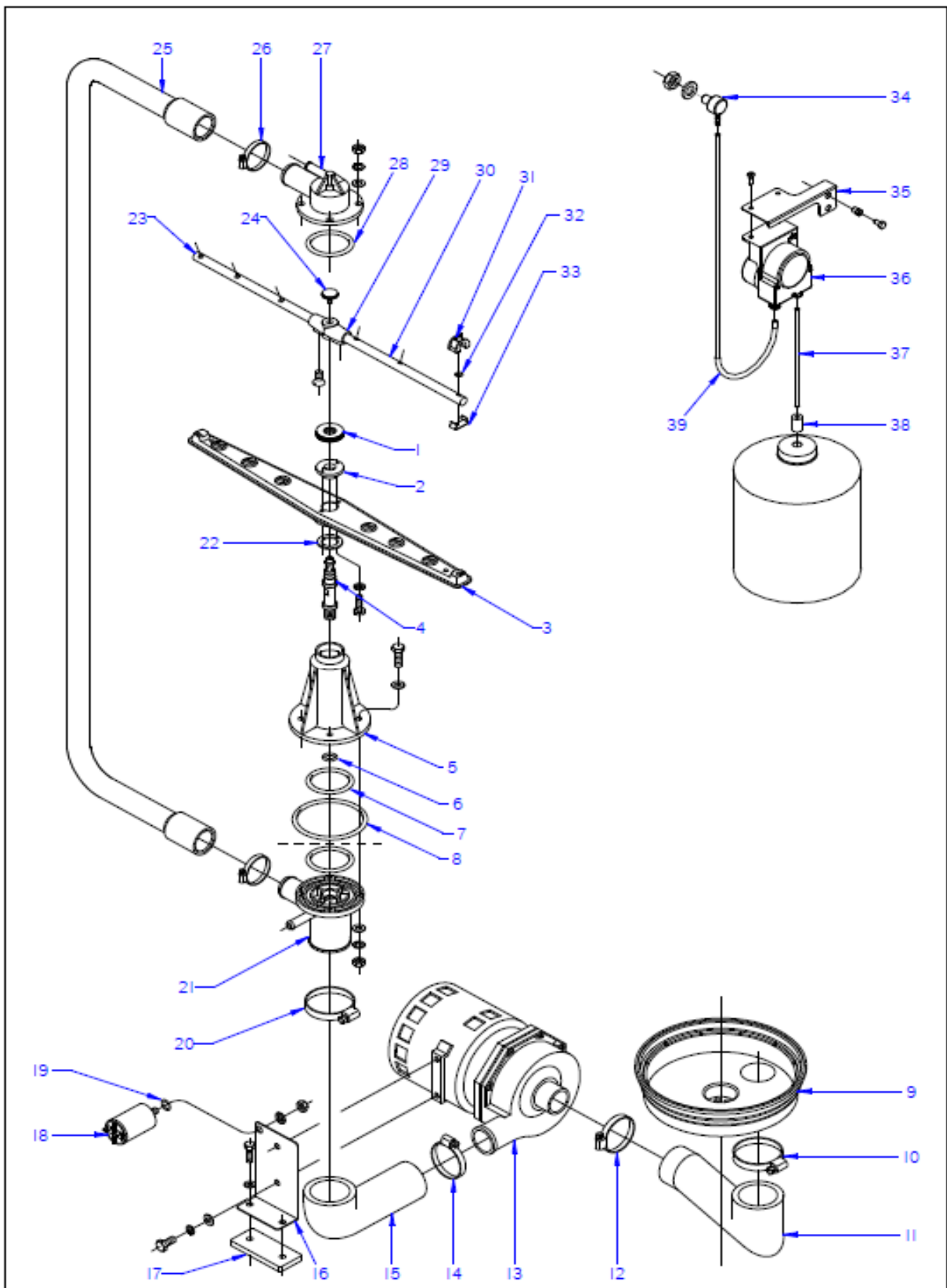
| ZONA / ZONE | | ARMAZON / FRAME | | | | | | | | LÁMINA / DRAWING | | | | C-3169 | |
|-------------|-------------------------|-------------------------------|----------------------------|--------------------|----------------------|----------------------|-----------------------|--|--|------------------|-------------|-------------------------|---------------------------|------------------|--|
| ITEM | REFERENCIA REFERENCE | DENOMINACIÓN | DENOMINATION | OEM-500 HP (DD/UK) | OEM-500 HP W (DD/UK) | OEM-500 HP B (DD/UK) | OEM-500 HP W B (DD/U) | | | | RECOMMENDED | ELIMINADO ELIMINATED | INTRODUCIDO INTRODUCED | NOTAS / NOTES | |
| 1 | 12024990 | CESTILLO PLATOS CP-16-18 | PLATE BASKET CP-16-18 | 1 | 1 | 1 | 1 | | | | | | | | |
| 2 | 12023745 | CESTILLO CUBIERTOS | CUTLERY BASKET | 1 | 1 | 1 | 1 | | | | | | | | |
| 3 | 12025011 | CESTILLO BASE CT-10 | BASE BASKET CT-10 | 1 | 1 | 1 | 1 | | | | | | | | |
| 4 | 12022912 | TAPA EASY-500 | EASY 500 LID | 1 | 1 | 1 | 1 | | | | | | | | |
| 5 | 12104042 | SOPORTE TAPA EASY-500 | EASY 500 LID REINFORCEMENT | 2 | 2 | 2 | 2 | | | | | | | | |
| 6 | 12024374 | PERFIL CAJA | BOX PROFILE | 1 | 1 | 1 | 1 | | | | | | | | |
| 7 | 12022469 | ESCUADRA SUJECCION PERFIL | FASTENING BRACKET PROFILE | 1 | 1 | 1 | 1 | | | | | | | | |
| 8 | 12022568 | GUIA CESTILLO DERECHO | RIGHT BASKET GUIDE | 1 | 1 | 1 | 1 | | | | | | | | |
| S/Nº | 12022569 | GUIA CESTILLO IZQUIERDO | LEFT BASKET GUIDE | 1 | 1 | 1 | 1 | | | | | | | | |
| 9 | 12022458 | SOPORTE DERECHO BANDEJAS | RIGHT TRAY SUPPORT | 1 | 1 | 1 | 1 | | | | | | | | |
| S/Nº | 12022459 | SOPORTE IZDO. BANDEJAS | LEFT TRAY SUPPORT | 1 | 1 | 1 | 1 | | | | | | | | |
| 10 | 12022559 | BANDEJA COMPLETA | COMPLETE TRAY | 4 | 4 | 3 | 3 | | | | | | | | |
| 10 | 12131729 | BANDEJA COMPLETA B | COMPLETE TRAY B | - | - | 1 | 1 | | | | | | | | |
| 11 | 12022518 | SOPORTE CENTRAL BANDEJAS | TRAY SUPPORT CENTRAL | 1 | 1 | 1 | 1 | | | | | | | | |
| 12 | 12024174 | PERFIL GOMA ESPONJOSA | FOAM RUBBER PROFILE | 1 | 1 | 1 | 1 | | | | | | | | |
| 13 | 12022724 | PANEL FRONTAL SIN PUERTA | FRONT PANEL WITHOUT DOOR | 1 | 1 | 1 | 1 | | | | | | | | |
| 14 | 12003593 | ARMAZON COMPLETO | COMPLETE FRAME | 1 | 1 | 1 | 1 | | | | | | | | |
| 15 | 12022560 | PANEL LATERAL IZQUIERDO | LEFT SIDE PANEL | 1 | 1 | 1 | 1 | | | | | | | | |
| S/Nº | 12022563 | PANEL LATERAL DERECHO | RIGHT SIDE PANEL | 1 | 1 | 1 | 1 | | | | | | | | |
| 16 | 12024163 | PATA REGULABLE | ADJUSTABLE LEG | 4 | 4 | 4 | 4 | | | | | | | | |
| 17 | 12022395 | PANEL POSTERIOR INFERIOR | REAR LOWER PANEL | 1 | - | 1 | - | | | | | | | | |
| 17 | 12022495 | PANEL POSTERIOR INFERIOR B.T. | REAR LOWER PANEL L.V. | - | 1 | - | 1 | | | | | | | | |
| 18 | 12022740 | PANEL POSTERIOR ALU.FI-30 | ALU.FI-30 REAR PANEL | 1 | - | 1 | - | | | | | | | | |
| 18 | 12152334 | PANEL POSTERIOR W | REAR PANEL UC 500 W | - | 1 | - | 1 | | | | | | | | |



ITEM MARCADO EN COLOR - REPUESTO RECOMENDADO
 COLOURED ITEM - RECOMMENDED SPARE PART

| | | | | | | |
|---------|-------|---------|---------|--------------|--------|--|
| N plano | Firma | Fecha | Aparato | PUERTA/ DOOR | Lamina | |
| C-3170 | | 2013-12 | | OEM-500 | 3 | |

| ZONA / ZONE | | PUERTA / DOOR | | | | LÁMINA / DRAWING | | | | C-3170 | | | |
|-------------|-------------------------|-------------------------------|--------------------------|--------------------|--|------------------|--|--|--|-------------|-------------------------|---------------------------|------------------|
| ITEM | REFERENCIA REFERENCE | DENOMINACIÓN | DENOMINATION | OEM-500 (All mod.) | | | | | | RECOMMENDED | ELIMINADO ELIMINATED | INTRODUCIDO INTRODUCED | NOTAS / NOTES |
| 1 | Query Produce | PUERTA COMPLETA | COMPLETE DOOR | 1 | | | | | | | | | |
| S/Nº | XXX | ASA | HANDLE | 1 | | | | | | | | | |
| S/Nº | 12003661 | PUERTA SOLDADA | WELDED DOOR | 1 | | | | | | | | | |
| S/Nº | 12024303 | IMAN | MAGNET | 1 | | | | | | | | | |
| S/Nº | 12024094 | PROTECTOR IMAN | MAGNET PROTECTOR | 1 | | | | | | | | | |
| 2 | 12022324 | BISAGRA IZQUIERDA T-C. | LEFT HINGE T-C. | 1 | | | | | | | | | |
| S/Nº | 12022325 | BISAGRA DERECHA T-C. | RIGHT HINGE T-C. | 1 | | | | | | | | | |
| S/Nº | 12111425 | Tuerca M5 A2 DIN6923 | Nut M5 A2 DIN6923 | 2 | | | | | | | | | |
| S/Nº | 12010242 | Tornillo M5x13 cabeza Philips | Screw M5x13 philips head | 2 | | | | | | | | | |
| 3 | 12024071 | EJE PUERTA | DOOR SHAFT | 2 | | | | | | | | | |
| S/Nº | 12023842 | VARILLA TENSOR | TENSIONING ROD | 1 | | | | | | | | | |
| S/Nº | 12024295 | MARCO PUERTA | DOOR FRAME | 2 | | | | | | | | | |
| 4 | 12024299 | TENSOR PUERTA | DOOR TENSOR | 2 | | | | | | | | | |
| S/Nº | 12111426 | Tuerca M6 A2 DIN6923 | Nut M6 A2 DIN6923 | 2 | | | | | | | | | |
| 5 | 12024180 | SOPORTE TENSOR | TENSOR SUPPORT | 2 | | | | | | | | | |
| S/Nº | 12111425 | Tuerca M5 A2 DIN6923 | Nut M5 A2 DIN6923 | 4 | | | | | | | | | |
| S/Nº | 12010242 | Tornillo M5x13 cabeza Philips | Screw M5x13 philips head | 4 | | | | | | | | | |
| 6 | 12003212 | CONJUNTO CIERRE PUER.T-CO | LOCK UNIT DOOR T-CO | 2 | | | | | | | | | |
| S/Nº | 12111426 | Tuerca M6 A2 DIN6923 | Nut M6 A2 DIN6923 | 2 | | | | | | | | | |
| 7 | 12024235 | ENGANCHE CIERRE | LOCK LATCH | 2 | | | | | | | | | |
| | | | | | | | | | | | | | |
| | | | | | | | | | | | | | |
| | | | | | | | | | | | | | |
| | | | | | | | | | | | | | |

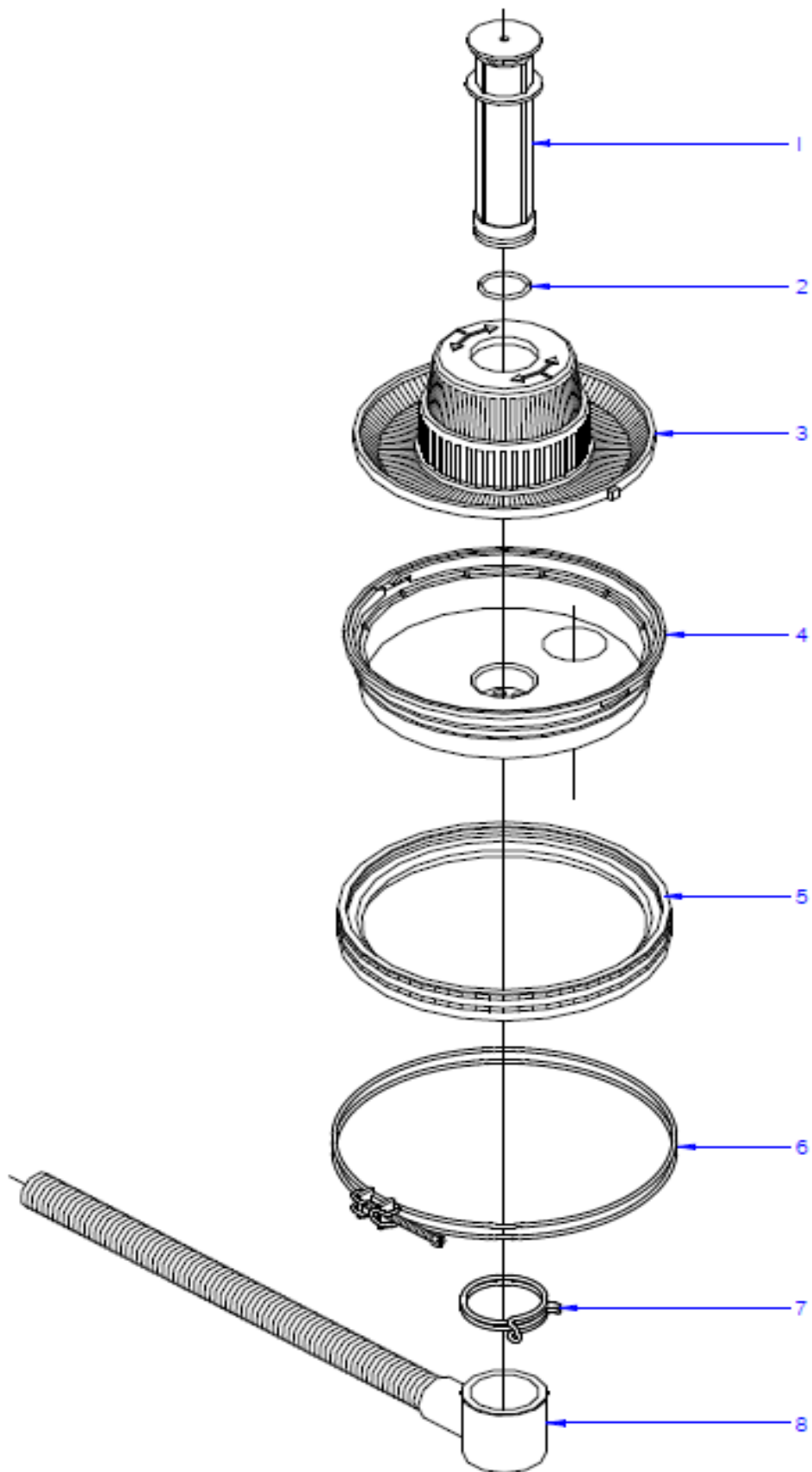


ITEM MARCADO EN COLOR - REPUESTO RECOMENDADO
 COLOURED ITEM - RECOMMENDED SPARE PART

| | | | | |
|-------------------|-----------|------------------|---|-------------|
| N plano C-3171 | Firma | Fecha 2013-12 | Apellido PARTE FUNCIONAL LAVADO / WASH FUNCTIONAL PART LAVAVAJILLAS OEM-500 | Letras 4 |
|-------------------|-----------|------------------|---|-------------|

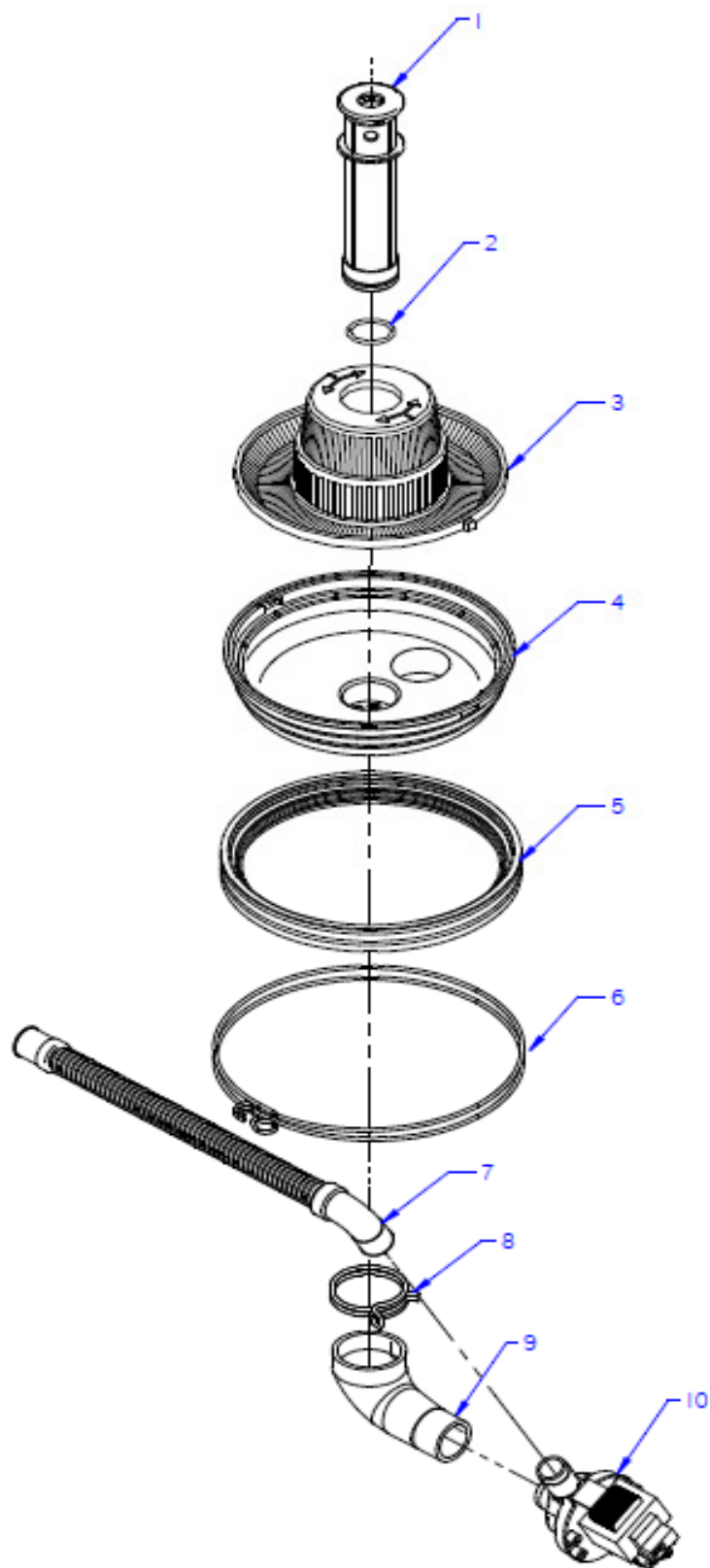
| ZONA / ZONE | | PARTE FUNCIONAL LAVADO / WASH FUNCTIONAL PART | | | | | LÁMINA / DRAWING | | | | C-3171 | | | |
|-------------|-------------------------|---|-----------------------------|-------------------|----------------------|-----------------------|------------------|--|--|--|-------------|-------------------------|---------------------------|------------------|
| ITEM | REFERENCIA REFERENCE | DENOMINACIÓN | DENOMINATION | OEM-500 (HP/B/UK) | OEM-500 DD (HP/B/UK) | OEM-500 W DD (HP/B/U) | | | | | RECOMMENDED | ELIMINADO ELIMINATED | INTRODUCIDO INTRODUCED | NOTAS / NOTES |
| 1 | 12024375 | TUERCA ESPECIAL M.14X1 | SPECIAL NUT M.14X1 | 2 | 2 | 2 | | | | | | | | |
| 2 | 12023726 | ENGANCHE DISTRIBUIDOR | DISTRIBUTOR HOOK | 2 | 2 | 2 | | | | | | 11/04/2016 | | |
| 2 | 12110631 | ENGANCHE DISTRIBUIDOR | DISTRIBUTOR HOOK | 2 | 2 | 2 | | | | | | | 11/04/2016 | 16040349P |
| 3 | 12025122 | DISTRIBUIDOR MONTADO | DISTRIBUTOR MOUNTED | 2 | 2 | 2 | | | | | | | | |
| 4 | 12023844 | EJE CENTRAL | CENTRAL SHAFT | 2 | 2 | 2 | | | | | | | | |
| 5 | 12024480 | SOPORTE DISTRIBUID. INFERIOR | LOWER DISTRIBUTOR SUPPORT | 1 | 1 | 1 | | | | | | | | |
| S/Nº | 12010115 | Screw M6x40 A2 DIN933 | O-RING 13.94X19.18X2.6 | 4 | 4 | 4 | | | | | | | | |
| S/Nº | 12111426 | Nut M6 A2 DIN 6923 | O-RING 50.17X60.83X5.3 | 4 | 4 | 4 | | | | | | | | |
| 6 | 12009837 | JUNTA TOR.13.94X19.18X2.6 | O-RING 13.94X19.18X2.6 | 1 | 1 | 1 | | | | | | | | |
| 7 | 12010079 | JUNTA TOR.50.17X60.83X5.3 | O-RING 50.17X60.83X5.3 | 2 | 2 | 2 | | | | | | | | |
| 8 | 12009976 | JUNTA TOR.85.09X95.75X5.3 | O-RING 85.09X95.75X5.3 | 1 | 1 | 1 | | | | | | | | |
| 9 | 12024367 | CUBETA | TRAY | 1 | 1 | 1 | | | | | | | | |
| 10 | 12009933 | ABRAZADERA 50-70L | CLAMP 50-70L | 1 | 1 | 1 | | | | | | | | |
| 11 | 12023683 | CODO ASPIRACION 1003018 | EXTRACTOR ELBOW 1003018 | 1 | 1 | 1 | | | | | | | | |
| 12 | 12009962 | ABRAZADERA 40-60 | CLAMP 40-60 | 1 | 1 | 1 | | | | | | | | |
| 13 | 12043287 | BOMBA DE LAVADO | WASH PUMP | 1 | 1 | 1 | | | | | x | | | |
| 13 | 12024270 | BOMBA DE LAVADO 60 HZ. | WASH PUMP 60 Hz. | 1 | 1 | 1 | | | | | | 01/09/2015 | | |
| 13 | 12102834 | BOMBA DE LAVADO 60 HZ. | WASH PUMP 60 Hz. | 1 | 1 | 1 | | | | | x | | 01/09/2015 | |
| 14 | 12009962 | ABRAZADERA 40-60 | CLAMP 40-60 | 1 | 1 | 1 | | | | | | | | |
| 15 | 12023689 | CODO IMPULSION 1003017 | IMPULSE ELBOW 1003017 | 1 | 1 | 1 | | | | | | | | |
| 16 | 12022393 | SOPORTE MOTOBO.F-3-4-5-6 | MOTORPUMP SUPPORT F-3-4-5-6 | 1 | 1 | 1 | | | | | | | | |
| 17 | 12023556 | BASE BOMBA LAVADO 1003016 | WASH PUMP BASE 1003016 | 1 | 1 | 1 | | | | | | | | |
| 18 | 12024376 | CONDENSADOR 10 M.F. | CONDENSER 10 M.F. | 1 | 1 | 1 | | | | | | | | |
| 19 | 12010256 | JUNTA TORICA 9.12X16.18X3.53 | O-RING 9.12x16.18x3.53 | 1 | 1 | 1 | | | | | | | | |

| ZONA / ZONE | | PARTE FUNCIONAL LAVADO / WASH FUNCTIONAL PART | | | | | LÁMINA / DRAWING | | | | C-3171 | | |
|-------------|-------------------------|---|-------------------------------|----------------|-------------------|--------------------|------------------|--|--|-------------|-------------------------|---------------------------|------------------|
| ITEM | REFERENCIA REFERENCE | DENOMINACIÓN | DENOMINATION | OEM-500 (HP-B) | OEM-500 DD (HP-B) | OEM-500W DD (HP-B) | | | | RECOMMENDED | ELIMINADO ELIMINATED | INTRODUCIDO INTRODUCED | NOTAS / NOTES |
| 20 | 12009933 | ABRAZADERA 50-70L | CLAMP 50-70L | 1 | 1 | 1 | | | | | | | |
| 21 | 12023613 | PASAMUROS | BUSHING | 1 | 1 | 1 | | | | | | | |
| 22 | 12024289 | AMARRE ENGANCHE DISTRIBUID. | DISTRIBUTOR HOOK FASTENING | 2 | 2 | 2 | | | | | | | |
| 23 | 12023524 | RAMA DE ACLARADO IZQUIERDA | LEFT RINSE BRANCH | 2 | 2 | 2 | | | | | | | |
| 24 | 12009829 | TORNILLO ESPECIAL M.5X0.8 | SPECIAL BOLT M.5X0.8 | 2 | 2 | 2 | | | | | | | |
| 25 | 12023699 | ARBOL DE LAVADO | WASH CAM | 1 | 1 | 1 | | | | | | | |
| 26 | 12009997 | ABRAZADERA 25-40 | CLAMP 25-40 | 2 | 2 | 2 | | | | | | | |
| 27 | 12024471 | SOPORTE DISTRIBUIDOR SUPER. | UPPER DISTRIBUTION SUPPORT | 1 | 1 | 1 | | | | | | | |
| 28 | 12010079 | JUNTA TOR.50.17X60.83X5.3 | O-RING 50.17X60.83X5.3 | 1 | 1 | 1 | | | | | | | |
| 29 | 12024470 | SOPORTE RAMAS ACLARADO | RINSE BRANCH SUPPORT | 2 | 2 | 2 | | | | | | | |
| 30 | 12023527 | RAMA DE ACLARADO DERECHA | RIGHT RINSE BRANCH | 2 | 2 | 2 | | | | | | | |
| 31 | 12024077 | TOBERA ACLARADO | RINSE NOZZLE | 12 | 12 | 12 | | | | | | | |
| 32 | 12009912 | JUNTA TORICA 5.28X8.84X1.78 | O-RING 5.28X8.84X1.78 | 12 | 12 | 12 | | | | | | | |
| 33 | 12024006 | ENGANCHE TOBERA ACLARADO | RINSE NOZZLE HOOK | 12 | 12 | 12 | | | | | | | |
| 34 | 12024531 | PASAMUROS INOX DETERGENTE | INOX DETERGENT WALL BUSHING | _ | 1 | 1 | | | | | | | |
| 35 | 12022227 | SOPORTE DOSIFICADOR | FEEDER SUPPORT | _ | 1 | 1 | | | | | 17/06/2016 | | |
| 35 | Z10917P0005 | SOPORTE DOSIFICADOR | FEEDER SUPPORT | _ | 1 | 1 | | | | | | 17/06/2016 | 16040019P |
| 36 | 12024216 | DOSIFI. DGTE REGULABLE G300 | DETERGENT DISP. ADJUST. G300. | _ | 1 | _ | | | | | 17/06/2016 | | |
| 36 | 12133011 | DOSIFI. DGTE REGULABLE | ADJUST.DETERGENT DISPENSER | _ | 1 | _ | | | | X | | 17/06/2016 | 16040019P |
| 36 | 12024274 | DOSIFI. DGTE. ABRILLANTA. G650 | DETER. & RINSE DISPENSER G650 | _ | _ | 1 | | | | | 17/06/2016 | | |
| 36 | 602135P0016 | DOSIFI. DGTE. ABRILLANTA. | DETER. & RINSE DISPENSER | _ | _ | 1 | | | | X | | 17/06/2016 | 16050069P |
| 37 | 12024139 | CONDUCTO ASPIRACIÓN | DUCT INTAKE | _ | 1 | 1 | | | | | | | |
| 38 | 12024353 | PESO FILTRO | FILTER WEIGHT | _ | 1 | 1 | | | | | | | |
| 39 | 11000079 | CONDUCTO DOSIF. TRANSPARENTE | TRANSPAR. EXTRACTOR PIPE | _ | 1 | 1 | | | | | | | |



ITEM MARCADO EN COLOR = REPUESTO RECOMENDADO
 COLOURED ITEM = RECOMMENDED SPARE PART

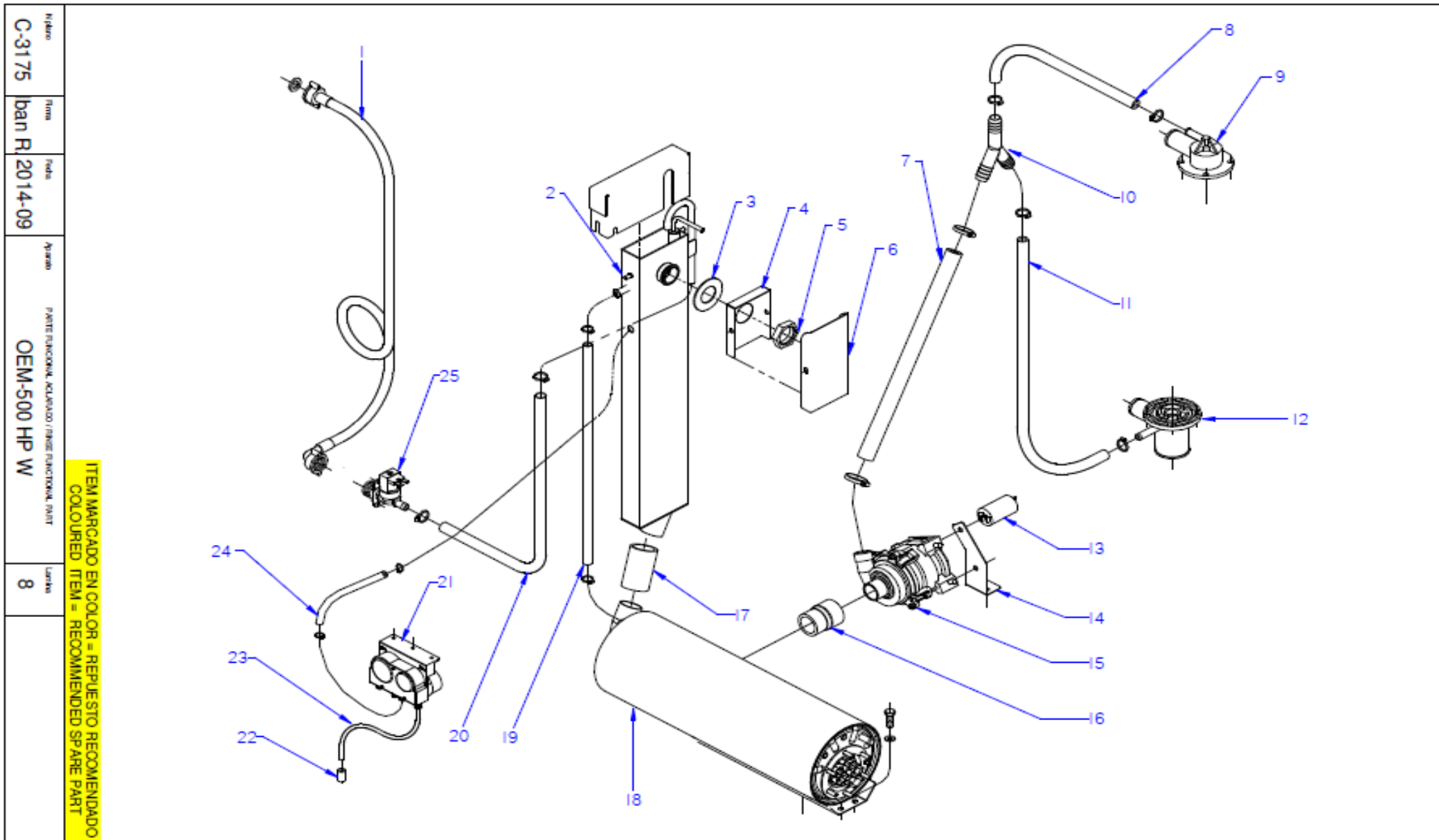
| | | | | |
|--------------------|-----------------------------|------------------|--|-------------|
| Nº plano C-3172 | Firma <i>[Signature]</i> | Fecha 2013-12 | Aparato PARTE FUNCIONAL DESAGÜE / DRAINAGE FUNCTIONAL PART OEM-500 | Lamina 5 |
|--------------------|-----------------------------|------------------|--|-------------|



ITEM MARCADO EN COLOR = REPUESTO RECOMENDADO
 COLOURED ITEM = RECOMMENDED SPARE PART

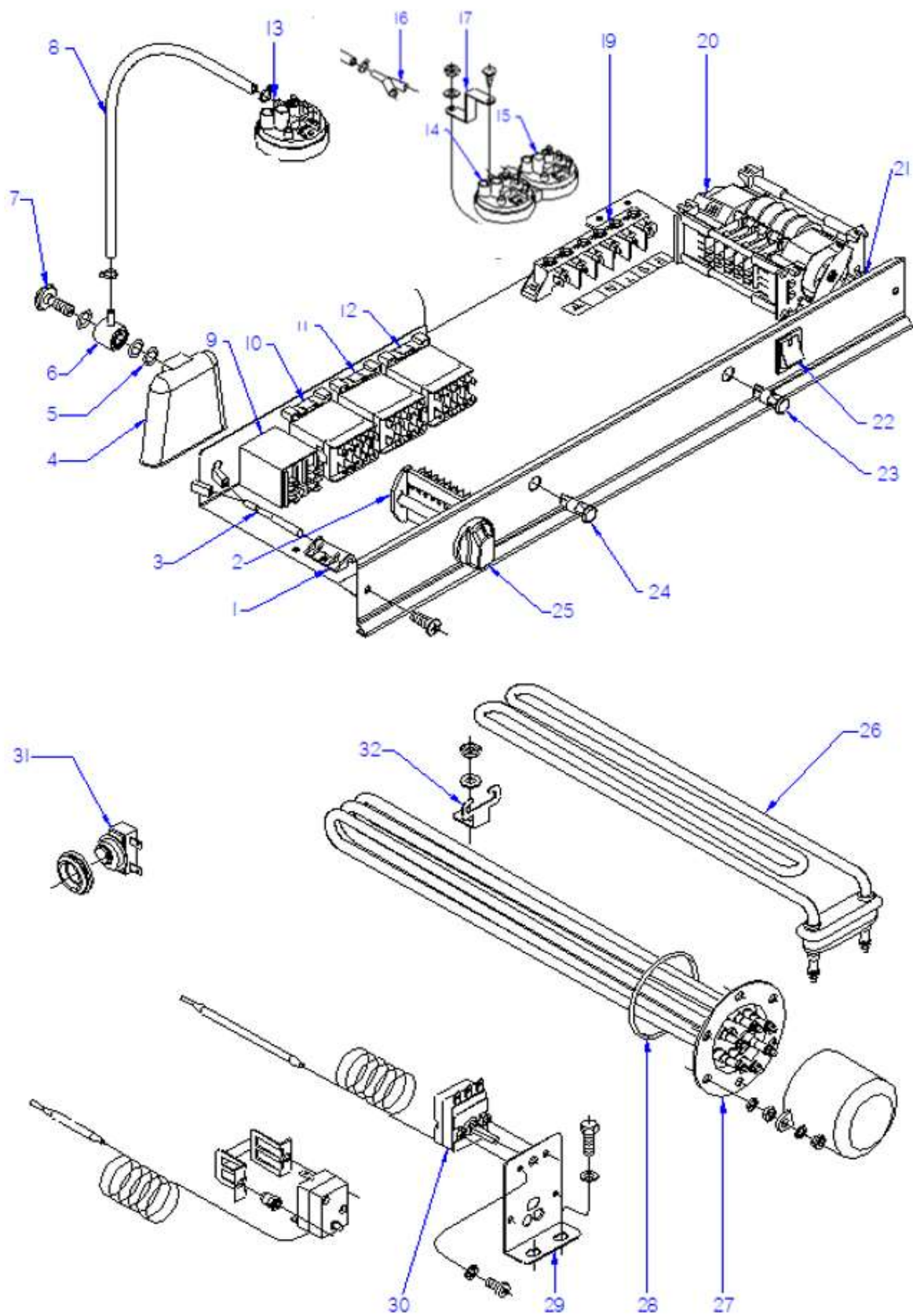
| N plano | Firma | Fecha | Aparato | PARTE FUNCIONAL DESAGÜE / DRAINAGE FUNCTIONAL PART | Lamina |
|---------|-------|---------|---------|--|--------|
| C-3173 | | 2013-12 | | OEM-500 B | 6 |

| ZONA / ZONE | | PARTE FUNCIONAL ACLARADO / RINSE FUNCTIONAL PART | | | | LÁMINA / DRAWING | | | | C-3174 | | | |
|-------------|-------------------------|--|-----------------------------|----------------------|--|------------------|--|--|--|-------------|-------------------------|---------------------------|------------------|
| ITEM | REFERENCIA REFERENCE | DENOMINACIÓN | DENOMINATION | OEM-500 (HP/B/DD/UK) | | | | | | RECOMMENDED | ELIMINADO ELIMINATED | INTRODUCIDO INTRODUCED | NOTAS / NOTES |
| 1 | 12153568 | CONDUCTO EV-ANTIRETORNO | EV - ANTIRETURN VALVE HOSE | 1 | | | | | | | | | |
| S/Nº | 12010036 | ABRAZADERA 12-20 | CLAMP 12/20 | 2 | | | | | | | | | |
| 2 | 12024568 | VALVULA ANTIRRETORNO | NON-RETURN VALVE | 1 | | | | | | | | | |
| S/Nº | 12010036 | ABRAZADERA 12/20 | CLAMP 12/20 | 2 | | | | | | | | | |
| 3 | 12153570 | CONDUCTO ANTI-RETORNO-T | ANTIRETURN - T Fitting HOSE | 1 | | | | | | | | | |
| S/Nº | 12010036 | ABRAZADERA 12-20 | CLAMP 12/20 | 2 | | | | | | | | | |
| 4 | 12153571 | CONDUCTO CALDERIN Y | BOILER - Y RACORD HOSE | 1 | | | | | | | | | |
| S/Nº | 12010036 | ABRAZADERA 12-20 | CLAMP 12/20 | 2 | | | | | | | | | |
| 5 | 12153573 | CONDUCTO ACLARADO SUPERIOR | UPPER RINSE HOSE UC-500 | 1 | | | | | | | | | |
| S/Nº | 12010036 | ABRAZADERA 12-20 | CLAMP 12/20 | 2 | | | | | | | | | |
| 6 | 12024471 | SOPORTE DISTRIB. SUPERIOR | UPPER DISTRIB. SUPPORT | 1 | | | | | | | | | |
| 7 | 12023511 | RACORD EN Y | Y CONNECTION | 1 | | | | | | | | | |
| 8 | 12153572 | CONDUCTO ACLARADO INFERIOR | LOWER RINSE HOSE UC-500 | 1 | | | | | | | | | |
| S/Nº | 12010036 | ABRAZADERA 12-20 | CLAMP 12/20 | 1 | | | | | | | | | |
| 9 | 12023613 | PASAMUROS | FEEDTHROUGH | 1 | | | | | | | | | |
| S/Nº | 12010036 | ABRAZADERA 12-20 | CLAMP 12/20 | 1 | | | | | | | | | |
| 10 | 12025288 | TOMA PRESION | PRESSURE INTAKE | 1 | | | | | | | | | |
| 11 | 12153565 | CONDUCTO SALIDA ABRILLANTA. | RINSE OUTLET HOSE | 1 | | | | | | | | | |
| S/Nº | 12010047 | ABRAZADERA 8-14L | CLAMP 8-14L | 2 | | | | | | | | | |
| 12 | 12045206 | DOSIFICADOR_ABRILLANTADOR_AQ | RINSE AID DISPENSER | 1 | | | | | | | 17/06/2016 | | |
| 12 | 121330010 | DOSIFICADOR_ABRILLANTADOR_AQ | RINSE AID DISPENSER | 2 | | | | | | X | | 17/06/2016 | 16050069P |
| 13 | 12024067 | CASQUILLO | CASE | 2 | | | | | | | | | |
| 14 | 12092499 | CONDUCTO ABRILLANTADOR | POLISH DUCT | 1 | | | | | | | | | |
| 15 | 12024353 | PESO FILTRO | FILTER WEIGHT | 1 | | | | | | | | | |



| ZONA / ZONE | | PARTE FUNCIONAL ACLARADO / RINSE FUNCTIONAL PART | | | | LÁMINA / DRAWING | | | | C-3175 | | | |
|-------------|-------------------------|--|--------------------------|---------------------|--|------------------|--|--|--|-------------|-------------------------|---------------------------|------------------|
| ITEM | REFERENCIA REFERENCE | DENOMINACIÓN | DENOMINATION | OEM-500 W (HP-B-DD) | | | | | | RECOMMENDED | ELIMINADO ELIMINATED | INTRODUCIDO INTRODUCED | NOTAS / NOTES |
| 1 | 12024115 | MANGUERA ENTRADA AGUA | WATER INTAKE HOSE | 1 | | | | | | | | | |
| 2 | 12087160 | DEPÓSITO COMPLETO | COMPLETE TANK | 1 | | | | | | | 30/06/2017 | | |
| 2 | 12152323 | DEPÓSITO COMPLETO | COMPLETE TANK | 1 | | | | | | | | 30/06/2017 | 17063017P |
| 3 | 12023554 | JUNTA RETENCION VAPORES | STEAM RETAINER SEAL | 1 | | | | | | | | | |
| 4 | 12022376 | CUBIERTA PASAMUROS INTER. | INTER. BUSHING COVER | 1 | | | | | | | 30/06/2017 | | |
| 4 | 12152332 | CUBIERTA PASAMUROS INTER. | FEEDTHROUGH INTER. COVER | 1 | | | | | | | | 30/06/2017 | 17063017P |
| 5 | 12009831 | CONTRATUERCA 1 LATON | COUNTERNUT 1 BRASS | 1 | | | | | | | | | |
| 6 | 12022421 | CUBIERTA PASAMUROS EXT. | EXTER. BUSHING COVER | 1 | | | | | | | 30/06/2017 | | |
| 6 | 12152331 | CUBIERTA PASAMUROS EXT. | FEEDTHROUGH EXTER. COVER | 1 | | | | | | | | 30/06/2017 | 17063017P |
| 7 | 12023763 | MANGUERA ENJUAGUE BOMBA | RINSE PUMP HOSE | 1 | | | | | | | | | |
| 8 | 12153573 | CONDUCTO ACLAR. SUPERIOR | UPPER RINSE HOSE UC 500 | 1 | | | | | | | | | |
| S/Nº | 12010036 | ABRAZADERA 12-20 | CLAMP 12-20 | 2 | | | | | | | | | |
| 9 | 12024471 | SOPORTE DISTRIBUIDOR SUPER. | UPPER DISTRIB. SUPPORT | 1 | | | | | | | | | |
| 10 | 12023511 | RACORD EN Y | Y-CONNECTION | 1 | | | | | | | | | |
| 11 | 12153572 | CONDUCTO ACLAR. INFERIOR | LOWER RINSE HOSE UC 500 | 1 | | | | | | | | | |
| S/Nº | 12010036 | ABRAZADERA 12-20 | CLAMP 12-20 | 2 | | | | | | | | | |
| 12 | 12023613 | PASAMUROS | BUSHING | 1 | | | | | | | | | |
| 13 | 12023600 | CONDENSADOR 400V VDE | CONDENSER 400V VDE | 1 | | | | | | | | | |
| 14 | 12022169 | SOPORTE BOMBA HANNING | HANNING SUPPORT RINSE | 1 | | | | | | | | | |
| 15 | 12024233 | BOMBA ACLARADO HANNING | RINSE PUMP | 1 | | | | | | x | | | |
| 16 | 12024437 | MANGUITO REDUCCIÓN | REDUCTION HOSE | 1 | | | | | | | | | |
| 17 | 12024439 | MANGUITO CONEXIÓN | CONNECTION HOSE | 1 | | | | | | | | | |
| S/Nº | 12009986 | ABRAZADERA 32-50 L | CLAMP 32-50 L | 2 | | | | | | | | | |
| 18 | 12022973 | CALDERIN COMPLETO BBT | COMPLETE DRUM BBT | 1 | | | | | | | | | |

| ZONA / ZONE | | PARTE FUNCIONAL ACLARADO / RINSE FUNCTIONAL PART | | | | LÁMINA / DRAWING | | | | C-3175 | | | |
|-------------|-------------------------|--|-----------------------------|---------------------|--|------------------|--|--|--|-------------|-------------------------|---------------------------|------------------|
| ITEM | REFERENCIA REFERENCE | DENOMINACIÓN | DENOMINATION | OEM-500 W (HP-B-DD) | | | | | | RECOMMENDED | ELIMINADO ELIMINATED | INTRODUCIDO INTRODUCED | NOTAS / NOTES |
| 19 | 12153667 | CONDUCTO SALIDA VAPORES | BOILER STEAM OUTLET | 1 | | | | | | | | | |
| S/Nº | 12010036 | ABRAZADERA 12-20 | CLAMP 12-20 | 2 | | | | | | | | | |
| 20 | 12153666 | Conducto EV-BT | EV-BT HOSE | 1 | | | | | | | | | |
| S/Nº | 12010036 | ABRAZADERA 12-20 | CLAMP 12-20 | 2 | | | | | | | | | |
| 21 | 12024274 | DOSIFICADOR DGTE ABRILLANT. | DETERGENT DISPENSER RINS. | 1 | | | | | | | 16/06/2016 | | |
| 21 | 602135P0016 | DOSIFI. DGTE. ABRILLANTA. | DETER. & RINSE DISPENSER | 1 | | | | | | X | | 16/06/2016 | 16050069P |
| S/Nº | 12024067 | CASQUILLO | BUSHING | 2 | | | | | | | | | |
| 22 | 12024353 | PESO FILTRO | FILTER WEIGHT | 1 | | | | | | | | | |
| 23 | 12024139 | CONDUCT. ASPIRACIÓN AZKOYEN | DUCT INTAKE AZKOYEN | 1 | | | | | | | | | |
| 24 | 12094299 | CONDUCTO ABRILLAN. AZUL Ø 6X4 | BLUE RINSE CONDUIT Ø 6X4 | 1 | | | | | | | | | |
| 25 | 12025161 | ELECTROVAL. 230V AC 50/60Hz 1 A | SOLENOID VALVE 230V AC50/60 | 1 | | | | | | | | | |
| S/Nº | 12044690 | REGULADOR DE CAUDAL 10L | FLOW REGULATOR 10L | 1 | | | | | | | | | |
| S/Nº | 12096626 | REGULADOR 8 L NARANJA | ORANGE REGULATOR 8L | 1 | | | | | | | | | |
| S/Nº | 12152398 | REGULADOR DE ENTRADA 8L | INNER REGULATOR 8L 8L | 1 | | | | | | | | | |
| | | | | | | | | | | | | | |
| | | | | | | | | | | | | | |
| | | | | | | | | | | | | | |
| | | | | | | | | | | | | | |
| | | | | | | | | | | | | | |
| | | | | | | | | | | | | | |
| | | | | | | | | | | | | | |
| | | | | | | | | | | | | | |
| | | | | | | | | | | | | | |
| | | | | | | | | | | | | | |
| | | | | | | | | | | | | | |



ITEM MARCADO EN COLOR - REPUESTO RECOMENDADO
 COLOURED ITEM - RECOMMENDED SPARE PART

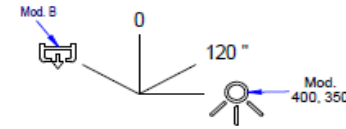
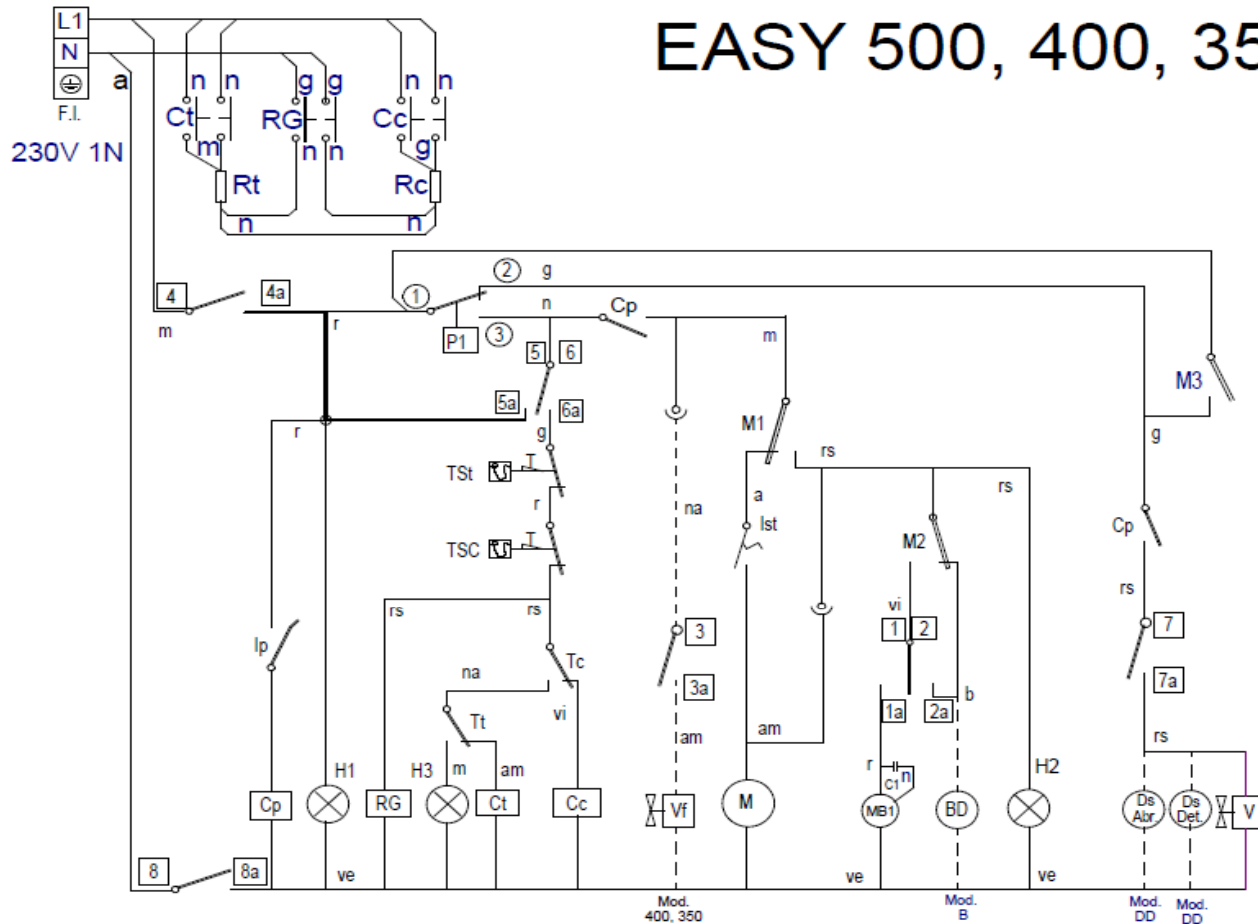
| | | | |
|------------------|------------------|--|--------------|
| Número C-3176 | Fecha 2013-12 | Parte Funcional Eléctrica / Eléctrico Funcional Part | Lámpara 9 |
|------------------|------------------|--|--------------|

| ZONA / ZONE | | PARTE FUNCIONAL ELÉCTRICA / ELECTRIC FUNCTIONAL PART | | | | | | LÁMINA / DRAWING | | | C-3176 | | |
|-------------|-------------------------|--|---------------------------------|--------------|--------|---------|---------|------------------|--------|-------------|-------------------------|---------------------------|------------------|
| ITEM | REFERENCIA REFERENCE | DENOMINACIÓN | DENOMINATION | OEM-500 (DD) | MOD. B | MOD. UK | MOD. HP | MOD. HP B | MOD. W | RECOMMENDED | ELIMINADO ELIMINATED | INTRODUCIDO INTRODUCED | NOTAS / NOTES |
| 1 | 12024066 | AMARRE INTERRUPTOR MAGNETICO | MAGNETIC SWITCH FASTENER | 1 | = | = | = | = | = | | | | |
| 2 | 12024445 | CONMUTADOR DE FUNCIONES | FUNCTIONS SWITCH | 1 | = | = | = | = | = | | | | |
| S/Nº | 12024067 | CASQUILLO | BUSHING | 2 | = | = | = | = | = | | | | |
| 3 | 12024477 | INTERRUPTOR MAGNETICO | MAGNETIC SWITCH | 1 | = | = | = | = | = | | | | |
| 4 | 12024350 | CAMARA PRESOSTATO | PRESSURE SWITCH | 1 | = | = | = | = | = | | | | |
| 5 | 12009873 | JUNTA TORICA 16.01X10.77X2.62 | O-RING 16.01X10.77X2.62 | 3 | = | = | = | = | = | | | | |
| 6 | 12024157 | EMPALME PRESOSTATO | PRESSURE SWITCH CONNEX | 1 | = | = | = | = | = | | | | |
| 7 | 12024222 | TORNILLO PRESOSTATO | PRESSURE SWITCH BOLT | 1 | = | = | = | = | = | | | | |
| 8 | 11000066 | TUBO GOMA NEGRO Ø 8*4 | BLACK RUBBER PIPE Ø 8*4 | 1 | = | = | = | = | = | | | | |
| S/Nº | 12023707 | BRIDA ELASTICA TUBO | ELASTIC PIPE FLANGE | 2 | = | = | = | = | = | | | | |
| 9 | 12023706 | RELE 230V. 16A 50-60 HZ | RELAY 230V. 16A 50-60 HZ | 1 | = | = | = | = | = | x | | | |
| 10 | 12111795 | CONTACTOR 230 V. 50-60 HZ 20A | CONTACTOR 230 V 50-60HZ 20A | 2 | = | = | 1 | 1 | 1 | | 2/14/2017 | | |
| 0-11-1 | 12024011 | CONTACTOR 230 V. 50-60 HZ 16A | CONTACTOR 230 V 50-60HZ 16A | 3 | = | = | = | = | = | x | | 2/14/2017 | 1702140188P |
| 12 | 12024012 | CONTACTOR 230V AC 50/60Hz16A | CONTACTOR 230V AC 50/60Hz | _ | = | = | = | = | 1 | | 2/14/2017 | | |
| 13 | 12023802 | PRESOSTATO SIMPLE 2-4 bar | 2-4 bar SIMPLE PRESOSTAT | 1 | = | = | = | = | = | x | | | |
| S/Nº | 12023805 | PRESOSTATO SIMPLE 7,5-9,5bar | 7,5-9,5bar SIMPLE PRESOSTAT | _ | 1 | = | = | = | = | | 2/14/2017 | | |
| 14 | 12023804 | PRESOSTATO SIMPLE 9,5-17 bar | 9-17bar SIMPLE PRESOSTAT | _ | = | = | = | = | 1 | x | | 2/14/2017 | 1702140188P |
| 15 | 12024269 | PRESOSTATO TRIPLE 4-15,5 bar | 9,5-15 BARTRIPLE PRESOSTAT | _ | = | = | = | = | 1 | | 2/14/2017 | | |
| 15 | 12025063 | PRESOSTATO SIMPLE 4-15,5 bar | 4-15,5 SIMPLE PRESOSTAT | _ | = | = | = | = | 1 | x | | 2/14/2017 | 1702140188P |
| 16 | 12023510 | RACORD EN Y | Y-CONNECTION | _ | = | = | = | = | 1 | | | | |
| 17 | 12023163 | SOPORTE PRESOSTATO | PRESSURE SWITCH SUPPORT | 1 | = | = | = | = | = | | | | |
| 18 | 12024230 | RETENEDOR DE CABLE | CABLE HOLDER | 1 | = | = | = | = | = | | | | |
| 19 | 12025183 | REGLETA AUXILIAR FV-122 | AUXILIARY TERMINAL STRIP FV-122 | 1 | = | = | = | = | = | | | | |
| 20 | 12024873 | PROGRAMADOR CICLO | CYCLE PROGRAMMER | 1 | = | = | _ | _ | = | x | | | |

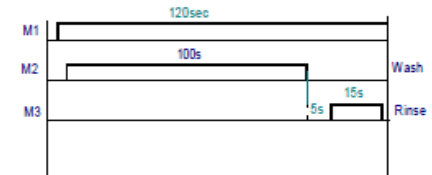
| ZONA / ZONE | | PARTE FUNCIONAL ELÉCTRICA / ELECTRIC FUNCTIONAL PART | | | | | | LÁMINA / DRAWING | | C-3176 | | | |
|-------------|-------------------------|--|----------------------------------|--------------|--------|---------|---------|------------------|--------|-------------|-------------------------|---------------------------|------------------|
| ITEM | REFERENCIA REFERENCE | DENOMINACIÓN | DENOMINATION | OEM-500 (DD) | MOD. B | MOD. UK | MOD. HP | MOD. HP B | MOD. W | RECOMMENDED | ELIMINADO ELIMINATED | INTRODUCIDO INTRODUCED | NOTAS / NOTES |
| 20 | 12024871 | PROGRAMADOR CICLO 60 Hz | CYCLE PROGRAMMER 60 Hz | 1 | = | = | _ | _ | = | x | | | |
| 20 | 12024177 | PROGRAMADOR 230V AC 50Hz 16 | PROGRAMMER 230V AC 50Hz 16 | _ | = | = | 1 | 1 | = | x | | | |
| 20 | 12024179 | Programador 4 posiciones 60 Hz | 4 position 60hz cycle programmer | _ | = | = | 1 | 1 | = | x | | | |
| 21 | 12129474 | FRENTE EXTRAIBLE ASPES | COMPLETE FRONT | 1 | = | = | = | = | = | | | | |
| S/Nº | Query Produce | EMBELL. ADHESIVO OEM | ADHESIVE TRIM OEM 500 | 1 | = | = | = | = | = | | | | |
| 22 | 12039115 | PULSADOR 250V AC 16A 2vía 1po | BUTTON 250V AC 16A 2vía 1pos | 1 | = | = | = | = | = | | | | |
| 23 | 12024254 | PILOTO AMBAR 41227000A4 | AMBER PILOT 41227000A4 | 1 | = | = | = | = | = | | | | |
| 24 | 12025211 | PILOTO VERDE 41227000C7 | GREEN PILOT 41227000C7 | 1 | = | = | = | = | = | | | | |
| 25 | 12088623 | BOTON DE MANDO OEM-500 | CONTROL BUTTON OEM-500 | 1 | _ | = | _ | _ | = | | | | |
| 25 | 12088620 | BOTON DE MANDO OEM-500 B | CONTROL BUTTON OEM-500 B | _ | 1 | = | _ | _ | = | | | | |
| 25 | 12088617 | BOTON DE MANDO OEM-500HP | CONTROL BUTTON OEM-500HP | _ | _ | = | 1 | _ | = | | | | |
| 25 | 12088615 | BOTON DE MANDO OEM-500HP B | CONTROL BUTTON OEM-500HP B | _ | _ | = | _ | 1 | = | | | | |
| 26 | 12024645 | RESISTENCIA TANQUE 2800W | TANK HEATER 2800W | 1 | 1 | _ | 1 | 1 | = | | 2/14/2017 | | |
| 26 | 12122629 | RESISTENCIA TANQUE 2800W | TANK HEATER 2800W | 1 | 1 | _ | _ | _ | = | X | | 2/14/2017 | 1702140188P |
| 26 | 12024951 | RESISTENCIA TANQUE 2000W | TANK HEATER 2000W | _ | _ | 1 | _ | _ | = | | 2/14/2017 | | |
| 26 | 12090524 | RESISTENCIA TANQUE 2000W | TANK HEATER 2000W | _ | _ | 1 | _ | _ | = | X | | 2/14/2017 | 1702140188P |
| 27 | 12024683 | RESISTENCIA CALDERIN 2800W | BOOSTER HEATER 2800W | 1 | 1 | _ | _ | _ | = | | 2/14/2017 | | |
| 27 | 12098741 | RESISTENCIA CALDERIN 2800W | BOOSTER HEATER 2800W | 1 | 1 | _ | _ | _ | = | X | | 2/14/2017 | 1702140188P |
| 27 | 12024718 | RESISTENCIA CALDERIN 2200W | BOOSTER HEATER 2200W | _ | _ | 1 | _ | _ | = | | 2/14/2017 | | |
| 27 | 12098743 | RESISTENCIA CALDERIN 2200W | BOOSTER HEATER 2200W | _ | _ | 1 | _ | _ | = | X | | 2/14/2017 | 1702140188P |
| 27 | 12024732 | RESISTENCIA CALDERIN 6000W | BOOSTER HEATER 6000W | _ | _ | _ | 1 | 1 | = | | 3/9/2017 | | |
| 27 | 12098745 | RESISTENCIA CALDERIN 5600W | BOOSTER HEATER 5600W | _ | _ | _ | 1 | 1 | = | X | | 3/9/2017 | 1703090002P |
| 28 | 12010051 | JUNTA TORICA AN-36 282333 | O-RING AN-36 282333 | 1 | = | = | = | = | = | | | | |
| 29 | 12022224 | SOPORTE TERMOSTATOS | THERMOSTAT SUPPORT | 1 | = | = | = | = | = | | 2/14/2017 | | |

| ZONA / ZONE | | VARIOS / MISCELLANEOUS | | | | | | | | LÁMINA / DRAWING | | | | |
|-------------|-------------------------|-------------------------------------|------------------------------------|----------------|---------|---------|--------|-----------|--|------------------|-----------|-------------------------|---------------------------|------------------|
| ITEM | REFERENCIA REFERENCE | DENOMINACIÓN | DENOMINATION | OEM-500 (B DD) | MOD. UK | MOD. HP | MOD. W | MOD. HP W | | | RECOMENDE | ELIMINADO ELIMINATED | INTRODUCIDO INTRODUCED | NOTAS / NOTES |
| | 12098845 | FOLLETO INSTRUC. OEM 500 | INSTRUC. LEAFLET OEM 500 | 1 | = | = | = | = | | | | | | |
| | 12095833 | ESQUEMA TEORI. OEM 500 | THEOR. DIAGRAM OEM OEM 500 | 1 | = | - | - | - | | | | 14/02/2017 | | |
| | 12130648 | ESQUEMA TEORI. OEM 500 | THEOR. DIAGRAM OEM OEM 500 | 1 | = | - | - | - | | | | | | 1702140188P |
| | 12022104 | ESQUEMA TEORICO OEM 500 HP | THEOR. DIAGRAM OEM 500 HP | - | - | 1 | - | - | | | | 3/9/2017 | | |
| | 12130654 | ESQUEMA TEORICO OEM 500 HP | THEOR. DIAGRAM OEM 500 HP | - | - | 1 | - | - | | | | | 3/9/2017 | 1703090002P |
| | 12022106 | ESQUEMA TEORICO OEM 500 W | THEOR. DIAGRAM OEM 500 W | - | - | - | 1 | - | | | | 3/9/2017 | | |
| | 12130657 | ESQUEMA TEORICO OEM 500 W (B.A.) | THEOR. DIAGRAM OEM 500 W (B.A.) | - | - | - | 1 | - | | | | | 3/9/2017 | 1703090002P |
| | 12130659 | ESQUEMA TEORICO OEM 500 W HP (B.A.) | THEOR. DIAGRAM OEM 500 W HP (B.A.) | - | - | - | - | 1 | | | | | 3/9/2017 | 1703090002P |
| | 12095807 | PLANO DE MONTAJE OEM-500 | ASSEMBLY PLAN OEM 500 | 1 | = | - | - | - | | | | 2/14/2017 | | |
| | 12130744 | PLANO DE MONTAJE OEM-500 | ASSEMBLY PLAN OEM 500 | 1 | = | - | - | - | | | | | | 1702140188P |
| | 12004619 | PLANO MONTAJE OEM-500 HP | ASSEMBLY PLAN OEM-500 HP | - | - | 1 | - | - | | | | 3/9/2017 | | |
| | 12130748 | PLANO MONTAJE OEM-500 HP | ASSEMBLY PLAN OEM-500 HP | - | - | 1 | - | - | | | | | 3/9/2017 | 1703090002P |
| | 12023145 | PLANO MONTAJE OEM-500 W | ASSEMBLY PLAN OEM-500 W | - | - | - | 1 | - | | | | 3/9/2017 | | |
| | 12130751 | PLANO MONTAJE OEM-500 W | ASSEMBLY PLAN OEM-500 W | - | - | - | 1 | - | | | | | 3/9/2017 | 1703090002P |
| | 12130753 | PLANO MONTAJE OEM-500 HP W | ASSEMBLY PLAN OEM-500 HP W | - | - | - | - | 1 | | | | | 3/9/2017 | 1703090002P |
| | 12024701 | INSTALACION ELECTRICA FI-30 | WIRING FI-30 | 1 | = | - | - | - | | | | 2/14/2017 | | |
| | 12135085 | INSTALACION ELECTRICA OEM 500 | WIRING OEM 500 | 1 | = | - | - | - | | | | | 2/14/2017 | 1702140188P |
| | 12024728 | INSTALACION ELECTRICA FI-64B | WIRING FI-64B | - | - | 1 | 1 | 1 | | | | 3/9/2017 | | |
| | 12024498 | CABLEADO FI-64B | WIRING FI-64B | 1 | = | = | - | - | | | | 3/9/2017 | | |
| | 12130058 | INSTALACION ELECTRICa OEM 500 HP | WIRING OEM 500 HP | - | - | 1 | 1 | 1 | | | | | 3/9/2017 | 1703090002P |
| | 12024314 | CABLEADO DOSIFICADOR DTGTE | WIRE FEEDER DETERGENT | 1 | = | = | - | - | | | | 2/14/2017 | | |
| | 12130033 | CABLEADO DOSIFICADOR DTGTE | WIRE FEEDER DETERGENT | - | - | - | 1 | 1 | | | | | 2/14/2017 | 1702140188P |
| | 12023990 | CABLEADO HY-BBT48-64 | WIRING HY-BBT48-64 | - | - | - | 1 | 1 | | | | 3/9/2017 | | |
| | 12130054 | CABLEADO OEM 500 W | WIRING OEM 500 W | - | - | - | 1 | 1 | | | | | 3/9/2017 | 1703090002P |
| | 12025112 | CABLE DE ALIMENTACION UK | POWER WIRING UK | - | 1 | - | = | - | | | | | | |
| | 12023913 | CABLE DE ALIMENTACION | POWER WIRING | 1 | - | - | = | - | | | | | | |
| | 12024651 | CABLE ALIMENTACION HP | POWER WIRING HP | - | - | 1 | = | 1 | | | | | | |
| | 12022100 | LEYENDA LAVJLL APERTURA FRONTL | LEGEND FRONT LOADING DISH. | 1 | = | = | = | = | | | | | | |

EASY 500, 400, 350, B, DD



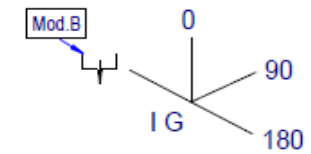
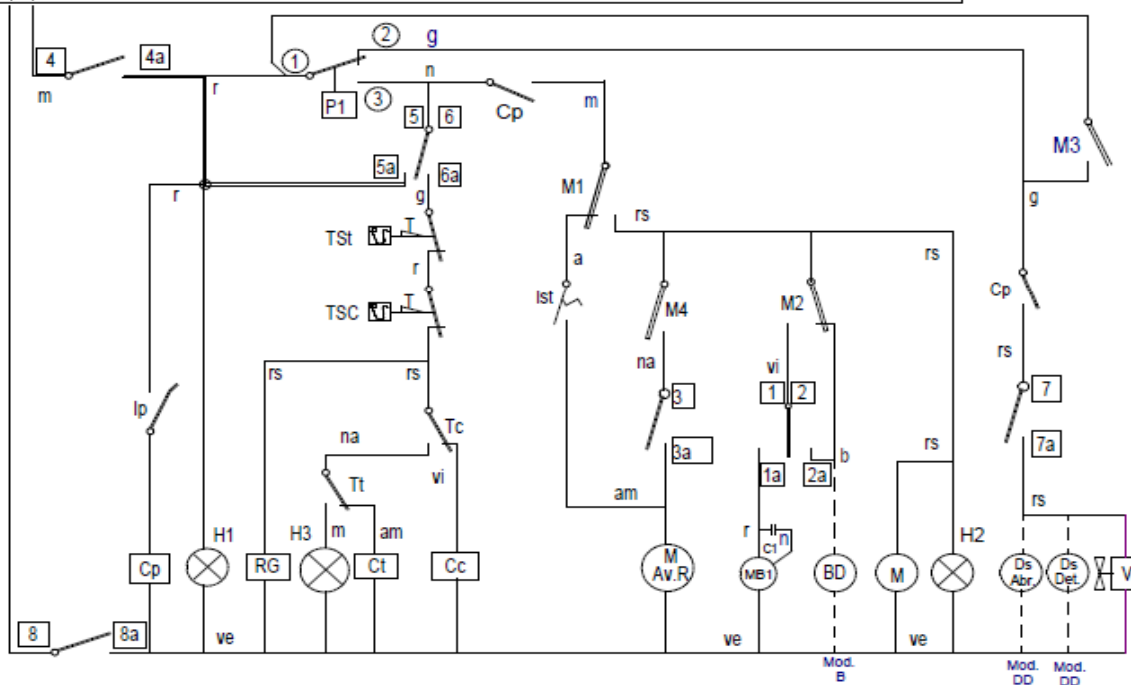
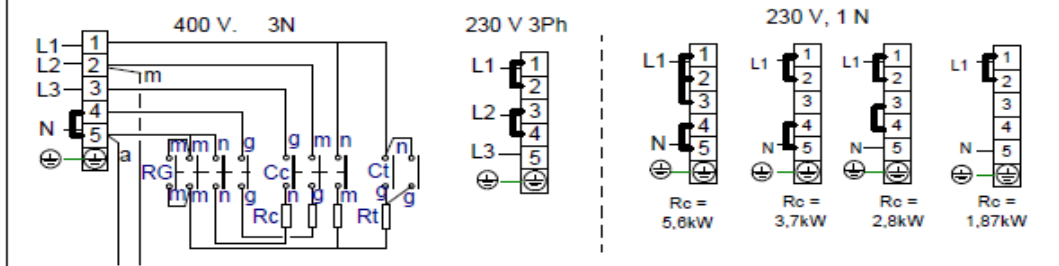
| IG | 1 | 2 | 3 | 4 | 5 | 6 | 7 | 8 |
|-----|----|----|----|----|----|----|----|----|
| | 1a | 2a | 3a | 4a | 5a | 6a | 7a | 8a |
| ⏏ | | X | | X | X | | | X |
| 0 | | | | | | | | |
| 120 | X | | | X | | X | X | X |
| ⚙ | X | | X | X | | X | X | X |



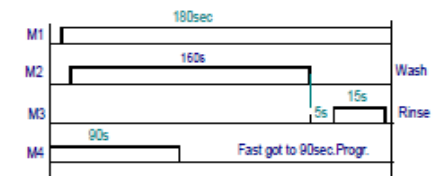
12130648

| - Esquema Teorico EASY 500 | | - 12130648 | |
|--|-------|-----------------------|--------------------|
| Nº | TITLE | QTY | MATERIAL |
| GENERAL TOLERANCES: ISO 2768-1 Very Coarse | | FAGOR INDUSTRIAL | |
| LAVAVAJILLAS | | DESIGNED BY: M.MAILLO | VALIDATED BY: A.G. |
| 12130648 | | DATE: 09.11.2015 | SHEET: 1 / 1 |
| PROPOSED BY: M.MAILLO | | ISSUE DATE: | |

EASY 500 HP, B, DD

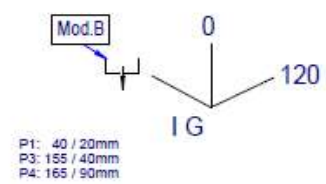
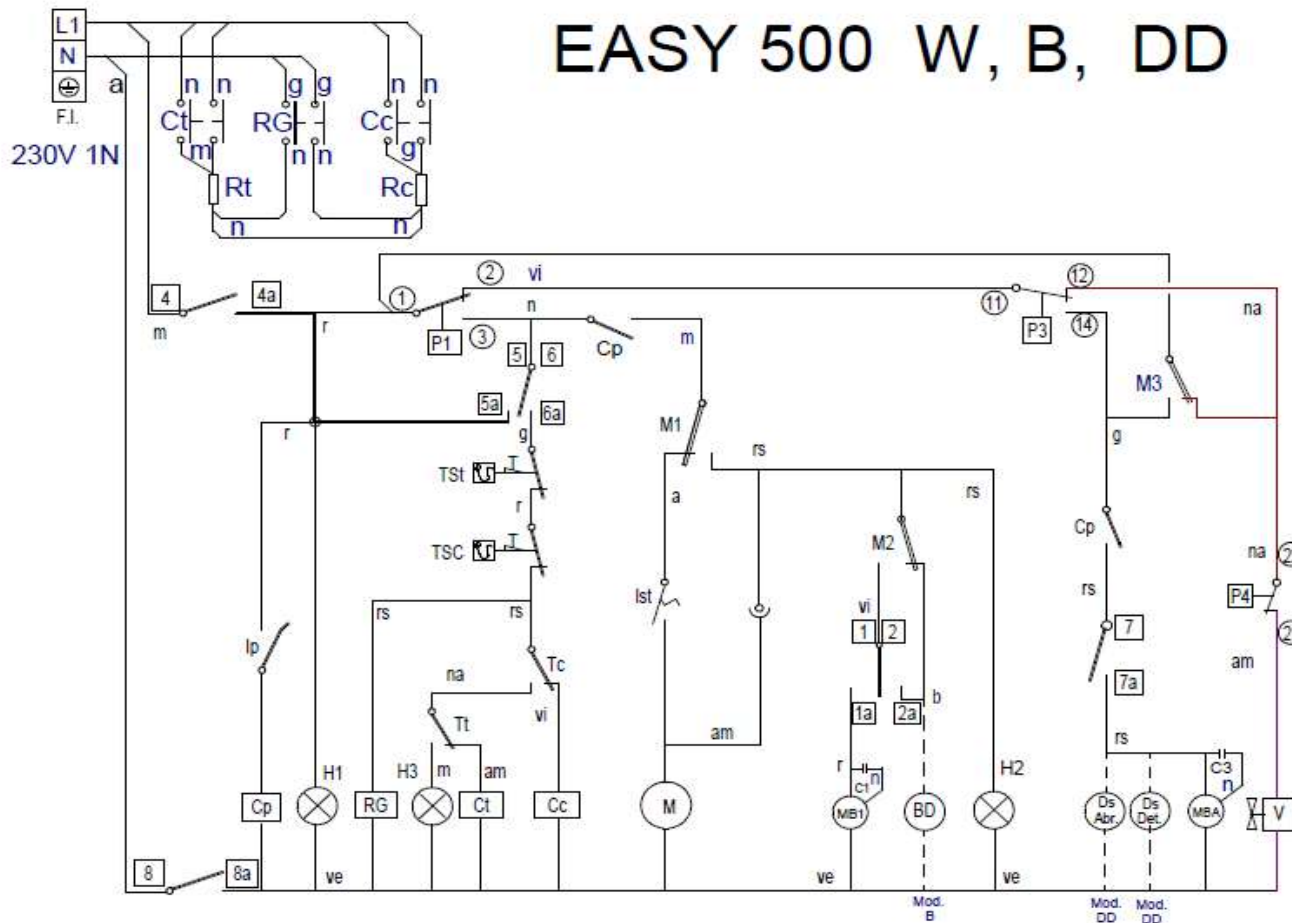


| IG | 1 1a | 2 2a | 3 3a | 4 4a | 5 5a | 6 6a | 7 7a | 8 8a |
|-----|---------|---------|---------|---------|---------|---------|---------|---------|
| IG | | X | X | X | | | | X |
| 0 | | | | | | | | |
| 90 | X | | X | X | | X | X | X |
| 180 | X | | | X | | X | X | X |

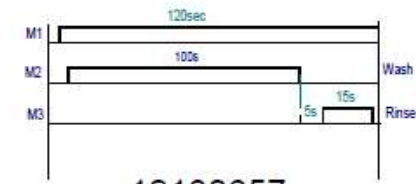


| Nº | Esquema teorico Easy 500 HP | 12130654 | MATERIAL | | TREATMENT |
|--|-----------------------------|--------------------|----------|--------------------|-----------|
| GENERAL TOLERANCES: ISO 2768-1 Very Coarse | | | | SHEET FORMAT: A3 | |
| DESIGNED BY: M.MAILLO | | VALIDATED BY: A.G. | | DESIGN CENTER: ONA | |
| DATE: 09.11.2015 | | SHEET: 1 / 1 | | DOC STATUS: | |
| SCALE: | | ISSUE DATE: | | | |
| 12130654 | | REVISION: | | | |
| PROPOSED BY: M.MAILLO | | ISSUE DATE: | | | |

EASY 500 W, B, DD



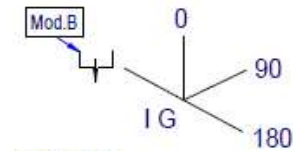
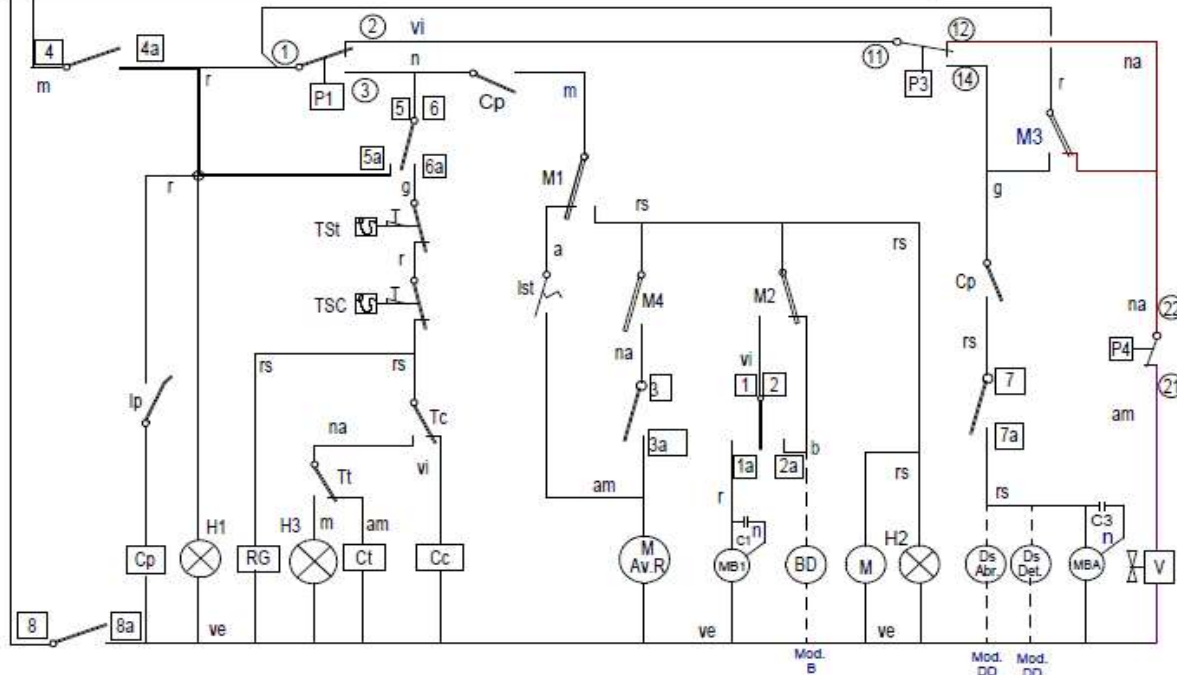
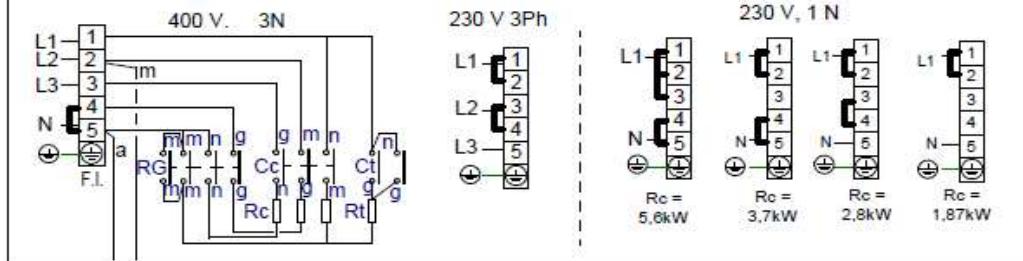
| | | | | | | | | |
|-----|---------|---------|---------|---------|---------|---------|---------|---------|
| IG | 1 1a | 2 2a | 3 3a | 4 4a | 5 5a | 6 6a | 7 7a | 8 8a |
| IG | X | X | X | X | | | | X |
| 0 | | | | | | | | |
| 120 | X | | X | X | | X | X | X |
| | X | | X | | X | X | X | X |



12130657

| - Esquema teorico Easy 500 W | | - 12130657 | | | | | | | | | | | | | | | | | | | | | | | | | | | | | | | | | | | | | | | | | | | | | | | | | | | | | | | | |
|--|-------|-----------------------|----------|------------|------|------------|--------|-------|-------|-------|-------|---------|-------|-------|-------|-------|---------|-------|-------|-------|-------|---------|-------|-------|-------|-------|---------|-------|-------|-------|-------|---------|-------|-------|-------|-------|----------|-------|-------|-------|-------|-----------|-------|-------|-------|-------|-----------|-------|-------|-------|-------|-----------|-------|-------|-------|-------|--|--|
| Nº | TITLE | QTY | MATERIAL | | | | | | | | | | | | | | | | | | | | | | | | | | | | | | | | | | | | | | | | | | | | | | | | | | | | | | | |
| GENERAL TOLERANCES: ISO 2768-1 Very Coarse | | TREATMENT | | | | | | | | | | | | | | | | | | | | | | | | | | | | | | | | | | | | | | | | | | | | | | | | | | | | | | | | |
| <table border="1"> <tr> <th>Size</th> <th>Dev</th> <th>Surface</th> <th>Case</th> <th>Top Coarse</th> </tr> <tr> <td>0-16mm</td> <td>±0.20</td> <td>±0.30</td> <td>±0.30</td> <td>±0.30</td> </tr> <tr> <td>16-25mm</td> <td>±0.25</td> <td>±0.35</td> <td>±0.35</td> <td>±0.35</td> </tr> <tr> <td>25-30mm</td> <td>±0.30</td> <td>±0.40</td> <td>±0.40</td> <td>±0.40</td> </tr> <tr> <td>30-50mm</td> <td>±0.35</td> <td>±0.45</td> <td>±0.45</td> <td>±0.45</td> </tr> <tr> <td>50-63mm</td> <td>±0.40</td> <td>±0.50</td> <td>±0.50</td> <td>±0.50</td> </tr> <tr> <td>63-80mm</td> <td>±0.45</td> <td>±0.55</td> <td>±0.55</td> <td>±0.55</td> </tr> <tr> <td>80-100mm</td> <td>±0.50</td> <td>±0.60</td> <td>±0.60</td> <td>±0.60</td> </tr> <tr> <td>100-125mm</td> <td>±0.55</td> <td>±0.65</td> <td>±0.65</td> <td>±0.65</td> </tr> <tr> <td>125-160mm</td> <td>±0.60</td> <td>±0.70</td> <td>±0.70</td> <td>±0.70</td> </tr> <tr> <td>160-200mm</td> <td>±0.65</td> <td>±0.75</td> <td>±0.75</td> <td>±0.75</td> </tr> </table> | | Size | Dev | Surface | Case | Top Coarse | 0-16mm | ±0.20 | ±0.30 | ±0.30 | ±0.30 | 16-25mm | ±0.25 | ±0.35 | ±0.35 | ±0.35 | 25-30mm | ±0.30 | ±0.40 | ±0.40 | ±0.40 | 30-50mm | ±0.35 | ±0.45 | ±0.45 | ±0.45 | 50-63mm | ±0.40 | ±0.50 | ±0.50 | ±0.50 | 63-80mm | ±0.45 | ±0.55 | ±0.55 | ±0.55 | 80-100mm | ±0.50 | ±0.60 | ±0.60 | ±0.60 | 100-125mm | ±0.55 | ±0.65 | ±0.65 | ±0.65 | 125-160mm | ±0.60 | ±0.70 | ±0.70 | ±0.70 | 160-200mm | ±0.65 | ±0.75 | ±0.75 | ±0.75 | | |
| Size | Dev | Surface | Case | Top Coarse | | | | | | | | | | | | | | | | | | | | | | | | | | | | | | | | | | | | | | | | | | | | | | | | | | | | | | |
| 0-16mm | ±0.20 | ±0.30 | ±0.30 | ±0.30 | | | | | | | | | | | | | | | | | | | | | | | | | | | | | | | | | | | | | | | | | | | | | | | | | | | | | | |
| 16-25mm | ±0.25 | ±0.35 | ±0.35 | ±0.35 | | | | | | | | | | | | | | | | | | | | | | | | | | | | | | | | | | | | | | | | | | | | | | | | | | | | | | |
| 25-30mm | ±0.30 | ±0.40 | ±0.40 | ±0.40 | | | | | | | | | | | | | | | | | | | | | | | | | | | | | | | | | | | | | | | | | | | | | | | | | | | | | | |
| 30-50mm | ±0.35 | ±0.45 | ±0.45 | ±0.45 | | | | | | | | | | | | | | | | | | | | | | | | | | | | | | | | | | | | | | | | | | | | | | | | | | | | | | |
| 50-63mm | ±0.40 | ±0.50 | ±0.50 | ±0.50 | | | | | | | | | | | | | | | | | | | | | | | | | | | | | | | | | | | | | | | | | | | | | | | | | | | | | | |
| 63-80mm | ±0.45 | ±0.55 | ±0.55 | ±0.55 | | | | | | | | | | | | | | | | | | | | | | | | | | | | | | | | | | | | | | | | | | | | | | | | | | | | | | |
| 80-100mm | ±0.50 | ±0.60 | ±0.60 | ±0.60 | | | | | | | | | | | | | | | | | | | | | | | | | | | | | | | | | | | | | | | | | | | | | | | | | | | | | | |
| 100-125mm | ±0.55 | ±0.65 | ±0.65 | ±0.65 | | | | | | | | | | | | | | | | | | | | | | | | | | | | | | | | | | | | | | | | | | | | | | | | | | | | | | |
| 125-160mm | ±0.60 | ±0.70 | ±0.70 | ±0.70 | | | | | | | | | | | | | | | | | | | | | | | | | | | | | | | | | | | | | | | | | | | | | | | | | | | | | | |
| 160-200mm | ±0.65 | ±0.75 | ±0.75 | ±0.75 | | | | | | | | | | | | | | | | | | | | | | | | | | | | | | | | | | | | | | | | | | | | | | | | | | | | | | |
| GENERAL TOLERANCES FOR PUNCHING: ISO 2768-2 | | DESIGNED BY: M.MAILLO | | | | | | | | | | | | | | | | | | | | | | | | | | | | | | | | | | | | | | | | | | | | | | | | | | | | | | | | |
| LAVAVAJILLAS | | VALIDATED BY: A.G. | | | | | | | | | | | | | | | | | | | | | | | | | | | | | | | | | | | | | | | | | | | | | | | | | | | | | | | | |
| 12130657 | | DATE: 09.11.2015 | | | | | | | | | | | | | | | | | | | | | | | | | | | | | | | | | | | | | | | | | | | | | | | | | | | | | | | | |
| PROPOSED BY: M.MAILLO | | SHEET: 1 / 1 | | | | | | | | | | | | | | | | | | | | | | | | | | | | | | | | | | | | | | | | | | | | | | | | | | | | | | | | |
| ISSUE DATE: | | SCALE: | | | | | | | | | | | | | | | | | | | | | | | | | | | | | | | | | | | | | | | | | | | | | | | | | | | | | | | | |

EASY 500 HP W, B, DD



P1: 40 / 20mm
 P3: 155 / 40mm
 P4: 165 / 95mm

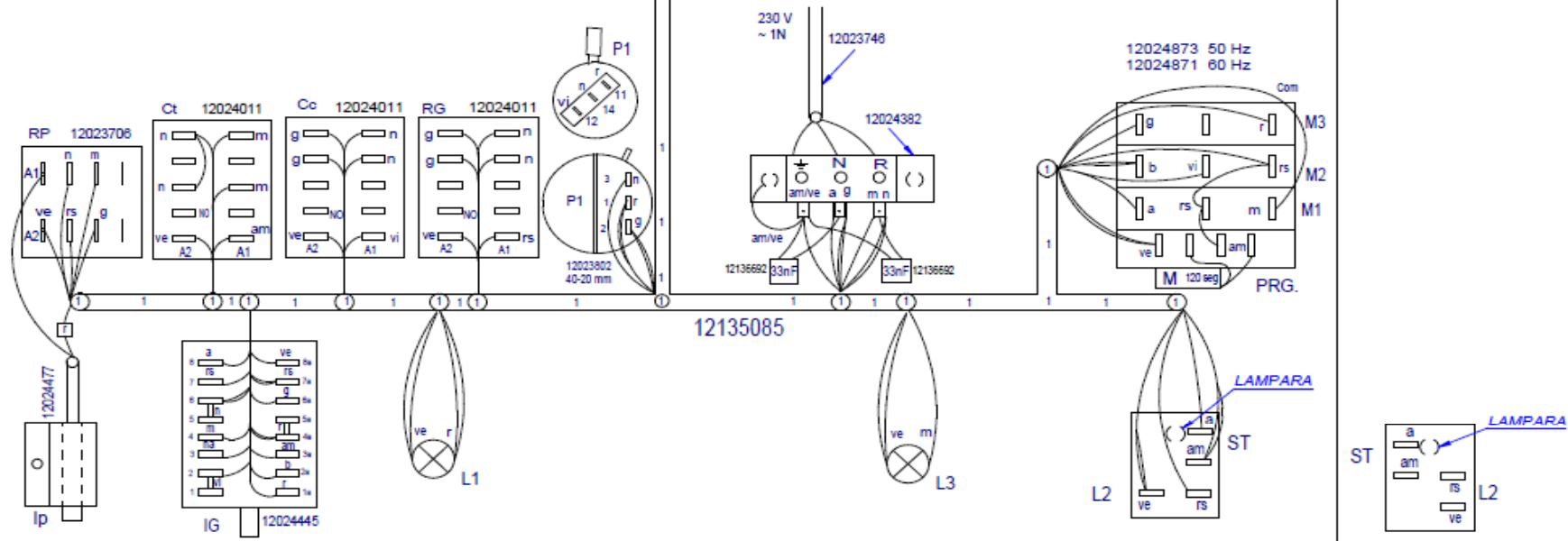
| I G | 1 | 2 | 3 | 4 | 5 | 6 | 7 | 8 |
|-----|----|----|----|----|----|----|----|----|
| | 1a | 2a | 3a | 4a | 5a | 6a | 7a | 8a |
| 0 | | X | | X | X | | | X |
| 90 | X | | X | X | | X | X | X |
| 180 | X | | | X | | X | X | X |



12130659

| - Esquema teorico Easy 500 W HP | | - 12130659 | | | | | |
|--|-------|--------------------|--------------|------------------|-----------|------|------|
| Nº | TITLE | QTY | CODE | MATERIAL | TREATMENT | | |
| GENERAL TOLERANCES: ISO 2768-1 Very Coarse | | | | | | | |
| Ø | h11 | H11 | | | | h11 | H11 |
| mm | 0.15 | 0.15 | | | | 0.15 | 0.15 |
| mm | 0.25 | 0.25 | | | | 0.25 | 0.25 |
| ISO 2768-2 | | | LAVAVAJILLAS | | | | |
| DESIGNED BY: M.MAILLO | | VALIDATED BY: A.G. | | DATE: 09.11.2015 | | | |
| 12130659 | | REVISION | | SHEET: 1 / 1 | | | |
| PROPOSED BY: M.MAILLO | | ISSUE DATE: | | SCALE: | | | |

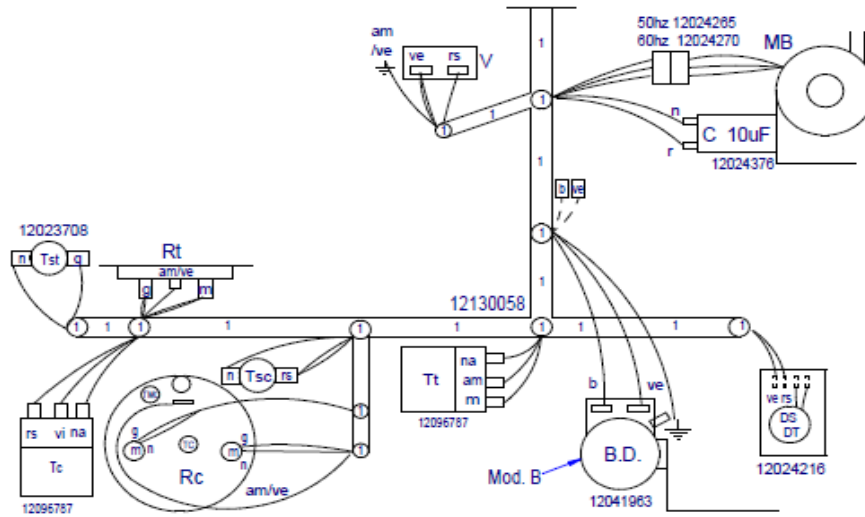
ESQUEMA TEORICO 12130648
 LEYENDA 12103338
 INDICADOR DE COMPONENTES 12111079



Nota: Todos los cables hembra que queden sin conectar se les colocaran una funda macho Q-578006

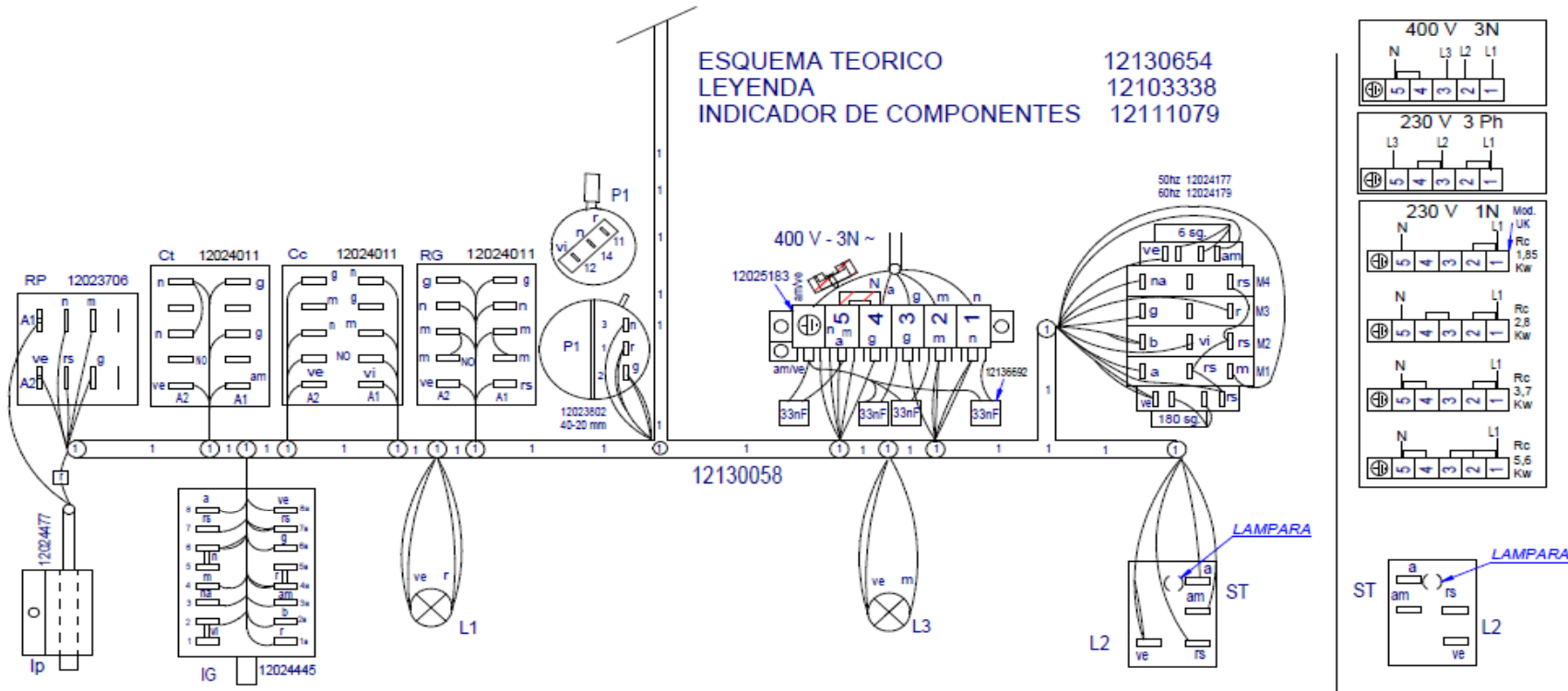
Montaje Easy 500

12130744



| - Plano Montaje Easy 500 | | - 12130744 | |
|--------------------------|----------|------------------------|----------|
| Nº | TITLE | QTY | CODE |
| GENERAL TOLERANCES: | | ISO 2768-1 Very Coarse | |
| mm | mm | mm | mm |
| 0-15 | 0-15 | 0-15 | 0-15 |
| 15-30 | 15-30 | 15-30 | 15-30 |
| 30-60 | 30-60 | 30-60 | 30-60 |
| 60-120 | 60-120 | 60-120 | 60-120 |
| 120-180 | 120-180 | 120-180 | 120-180 |
| 180-250 | 180-250 | 180-250 | 180-250 |
| 250-315 | 250-315 | 250-315 | 250-315 |
| 315-500 | 315-500 | 315-500 | 315-500 |
| 500-630 | 500-630 | 500-630 | 500-630 |
| 630-1000 | 630-1000 | 630-1000 | 630-1000 |
| DESIGNED BY: M.Maillo | | VALIDATED BY: A.G. | |
| DATE: 11.11.2015 | | SHEET: 1 / 1 | |
| SCALE: | | SCALE: | |
| 12130744 | | LAVAVAJILLAS | |
| PROPOSED BY: M.MAILLO | | ISSUE DATE: | |

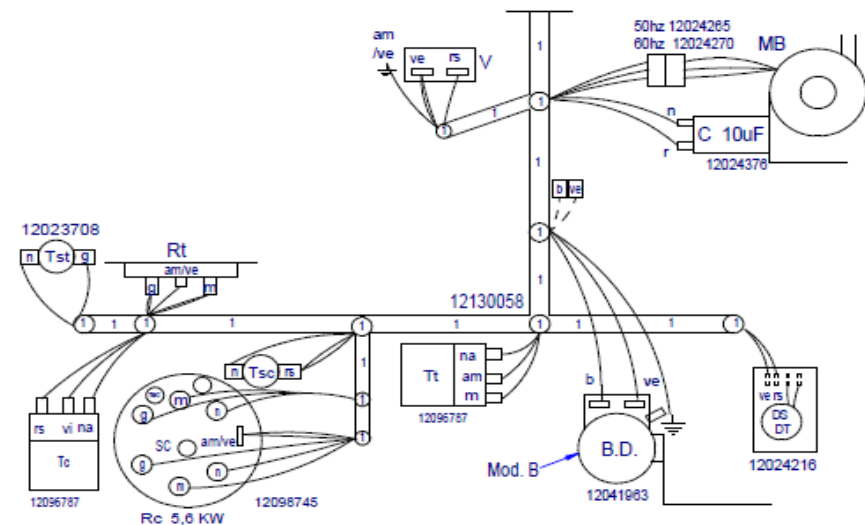
ESQUEMA TEORICO 12130654
 LEYENDA 12103338
 INDICADOR DE COMPONENTES 12111079



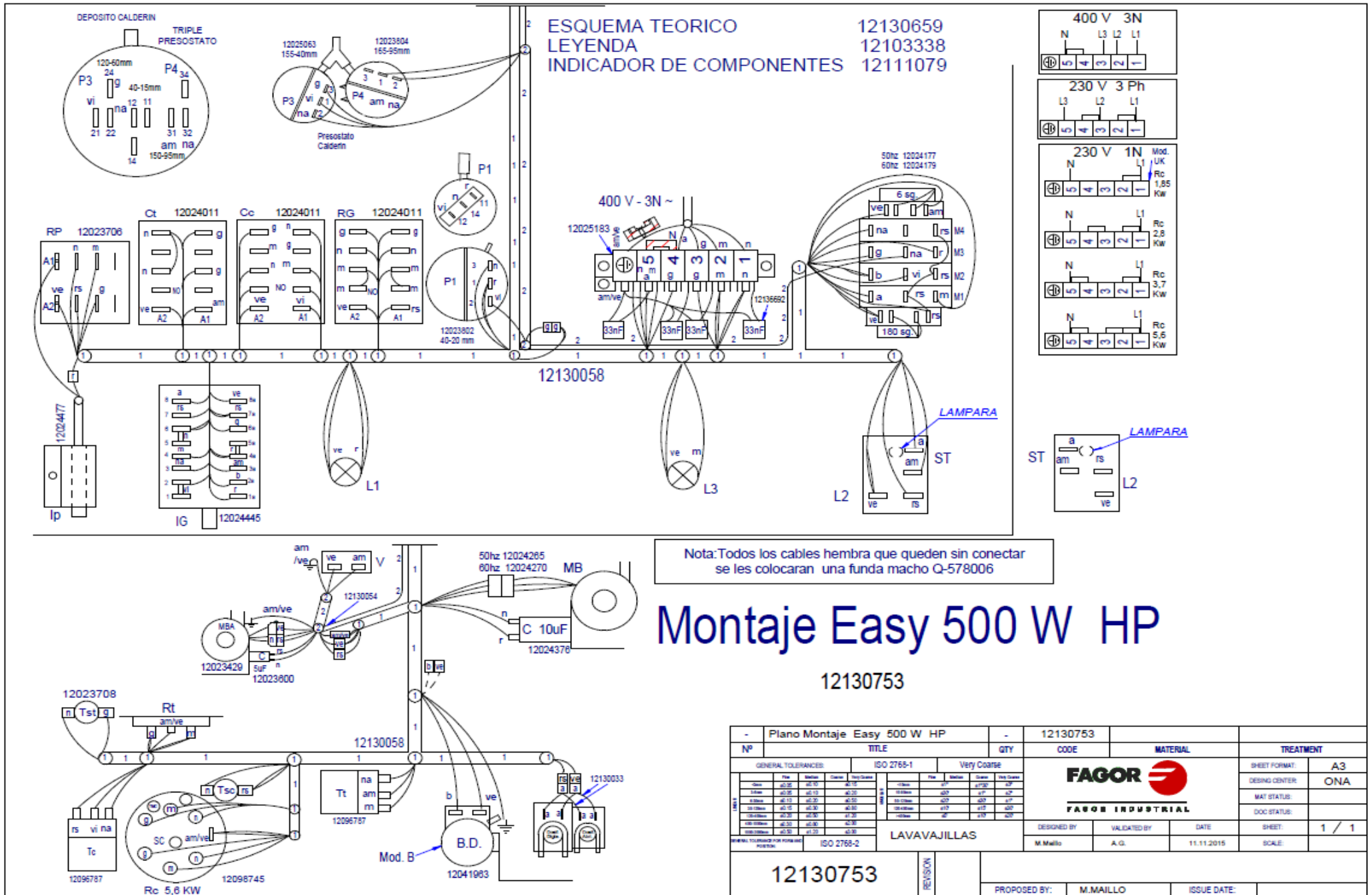
Nota: Todos los cables hembra que queden sin conectar se les colocaran una funda macho Q-578006

Montaje Easy 500HP

12130748



| | | | | | |
|-----------------------------|----------|---------------------|----------|------------------|----------|
| - Plano Montaje Easy 500 HP | | - 12130748 | | | |
| NP | | TITLE | | GTY | |
| GENERAL TOLERANCES: | | ISO 2768-1 | | Very Coarse | |
| mm | mm | mm | mm | mm | mm |
| 0-15 | 0-15 | 0-15 | 0-15 | 0-15 | 0-15 |
| 15-30 | 15-30 | 15-30 | 15-30 | 15-30 | 15-30 |
| 30-45 | 30-45 | 30-45 | 30-45 | 30-45 | 30-45 |
| 45-60 | 45-60 | 45-60 | 45-60 | 45-60 | 45-60 |
| 60-75 | 60-75 | 60-75 | 60-75 | 60-75 | 60-75 |
| 75-90 | 75-90 | 75-90 | 75-90 | 75-90 | 75-90 |
| 90-105 | 90-105 | 90-105 | 90-105 | 90-105 | 90-105 |
| 105-120 | 105-120 | 105-120 | 105-120 | 105-120 | 105-120 |
| 120-135 | 120-135 | 120-135 | 120-135 | 120-135 | 120-135 |
| 135-150 | 135-150 | 135-150 | 135-150 | 135-150 | 135-150 |
| 150-165 | 150-165 | 150-165 | 150-165 | 150-165 | 150-165 |
| 165-180 | 165-180 | 165-180 | 165-180 | 165-180 | 165-180 |
| 180-200 | 180-200 | 180-200 | 180-200 | 180-200 | 180-200 |
| 200-220 | 200-220 | 200-220 | 200-220 | 200-220 | 200-220 |
| 220-240 | 220-240 | 220-240 | 220-240 | 220-240 | 220-240 |
| 240-260 | 240-260 | 240-260 | 240-260 | 240-260 | 240-260 |
| 260-280 | 260-280 | 260-280 | 260-280 | 260-280 | 260-280 |
| 280-300 | 280-300 | 280-300 | 280-300 | 280-300 | 280-300 |
| 300-315 | 300-315 | 300-315 | 300-315 | 300-315 | 300-315 |
| 315-330 | 315-330 | 315-330 | 315-330 | 315-330 | 315-330 |
| 330-345 | 330-345 | 330-345 | 330-345 | 330-345 | 330-345 |
| 345-360 | 345-360 | 345-360 | 345-360 | 345-360 | 345-360 |
| 360-375 | 360-375 | 360-375 | 360-375 | 360-375 | 360-375 |
| 375-390 | 375-390 | 375-390 | 375-390 | 375-390 | 375-390 |
| 390-405 | 390-405 | 390-405 | 390-405 | 390-405 | 390-405 |
| 405-420 | 405-420 | 405-420 | 405-420 | 405-420 | 405-420 |
| 420-435 | 420-435 | 420-435 | 420-435 | 420-435 | 420-435 |
| 435-450 | 435-450 | 435-450 | 435-450 | 435-450 | 435-450 |
| 450-465 | 450-465 | 450-465 | 450-465 | 450-465 | 450-465 |
| 465-480 | 465-480 | 465-480 | 465-480 | 465-480 | 465-480 |
| 480-495 | 480-495 | 480-495 | 480-495 | 480-495 | 480-495 |
| 495-510 | 495-510 | 495-510 | 495-510 | 495-510 | 495-510 |
| 510-525 | 510-525 | 510-525 | 510-525 | 510-525 | 510-525 |
| 525-540 | 525-540 | 525-540 | 525-540 | 525-540 | 525-540 |
| 540-555 | 540-555 | 540-555 | 540-555 | 540-555 | 540-555 |
| 555-570 | 555-570 | 555-570 | 555-570 | 555-570 | 555-570 |
| 570-585 | 570-585 | 570-585 | 570-585 | 570-585 | 570-585 |
| 585-600 | 585-600 | 585-600 | 585-600 | 585-600 | 585-600 |
| 600-615 | 600-615 | 600-615 | 600-615 | 600-615 | 600-615 |
| 615-630 | 615-630 | 615-630 | 615-630 | 615-630 | 615-630 |
| 630-645 | 630-645 | 630-645 | 630-645 | 630-645 | 630-645 |
| 645-660 | 645-660 | 645-660 | 645-660 | 645-660 | 645-660 |
| 660-675 | 660-675 | 660-675 | 660-675 | 660-675 | 660-675 |
| 675-690 | 675-690 | 675-690 | 675-690 | 675-690 | 675-690 |
| 690-705 | 690-705 | 690-705 | 690-705 | 690-705 | 690-705 |
| 705-720 | 705-720 | 705-720 | 705-720 | 705-720 | 705-720 |
| 720-735 | 720-735 | 720-735 | 720-735 | 720-735 | 720-735 |
| 735-750 | 735-750 | 735-750 | 735-750 | 735-750 | 735-750 |
| 750-765 | 750-765 | 750-765 | 750-765 | 750-765 | 750-765 |
| 765-780 | 765-780 | 765-780 | 765-780 | 765-780 | 765-780 |
| 780-795 | 780-795 | 780-795 | 780-795 | 780-795 | 780-795 |
| 795-810 | 795-810 | 795-810 | 795-810 | 795-810 | 795-810 |
| 810-825 | 810-825 | 810-825 | 810-825 | 810-825 | 810-825 |
| 825-840 | 825-840 | 825-840 | 825-840 | 825-840 | 825-840 |
| 840-855 | 840-855 | 840-855 | 840-855 | 840-855 | 840-855 |
| 855-870 | 855-870 | 855-870 | 855-870 | 855-870 | 855-870 |
| 870-885 | 870-885 | 870-885 | 870-885 | 870-885 | 870-885 |
| 885-900 | 885-900 | 885-900 | 885-900 | 885-900 | 885-900 |
| 900-915 | 900-915 | 900-915 | 900-915 | 900-915 | 900-915 |
| 915-930 | 915-930 | 915-930 | 915-930 | 915-930 | 915-930 |
| 930-945 | 930-945 | 930-945 | 930-945 | 930-945 | 930-945 |
| 945-960 | 945-960 | 945-960 | 945-960 | 945-960 | 945-960 |
| 960-975 | 960-975 | 960-975 | 960-975 | 960-975 | 960-975 |
| 975-990 | 975-990 | 975-990 | 975-990 | 975-990 | 975-990 |
| 990-1000 | 990-1000 | 990-1000 | 990-1000 | 990-1000 | 990-1000 |
| DESIGNED BY: M. MAILLO | | VALIDATED BY: A. G. | | DATE: 11.11.2015 | |
| PROPOSED BY: M. MAILLO | | ISSUE DATE: | | SHEET: 1 / 1 | |



Nota: Todos los cables hembra que queden sin conectar se les colocaran una funda macho Q-578006

Montaje Easy 500 W HP

12130753

| - Plano Montaje Easy 500 W HP | | - | 12130753 | | | | | | | | | | | | | | | | | | | | | | | | | | | | | | | | | | | | | | | | | | | | | | | | | | | | | | | | | | | | | | | | | | | | | | | | | | | | | | | | | | |
|--|-------|--------------------|----------|------------------|-----------|-------------|-------|-------|-------|-------|-------|-------|-------|-------|-------|-------|-------|-------|-------|-------|-------|-------|-------|-------|-------|-------|-------|-------|-------|-------|-------|-------|-------|-------|-------|-------|-------|-------|-------|-------|-------|--|--|-----|------|-------|-------|-------------|-------|-------|-------|-------|-------|-------|-------|-------|-------|-------|-------|-------|-------|-------|-------|-------|-------|-------|-------|-------|-------|-------|-------|-------|-------|-------|-------|-------|-------|-------|-------|-------|-------|-------|-------|---|--|
| Nº | TITLE | QTY | CODE | MATERIAL | TREATMENT | | | | | | | | | | | | | | | | | | | | | | | | | | | | | | | | | | | | | | | | | | | | | | | | | | | | | | | | | | | | | | | | | | | | | | | | | | | | | | | | |
| GENERAL TOLERANCES: | | ISO 2768-1 | | Very Coarse | | | | | | | | | | | | | | | | | | | | | | | | | | | | | | | | | | | | | | | | | | | | | | | | | | | | | | | | | | | | | | | | | | | | | | | | | | | | | | | | | |
| <table border="1"> <thead> <tr> <th>Dev</th> <th>Flan</th> <th>Medio</th> <th>Clase</th> <th>Very Coarse</th> </tr> </thead> <tbody> <tr> <td>±0.25</td> <td>±0.15</td> <td>±0.10</td> <td>±0.15</td> <td>±0.15</td> </tr> <tr> <td>±0.35</td> <td>±0.25</td> <td>±0.15</td> <td>±0.20</td> <td>±0.20</td> </tr> <tr> <td>±0.50</td> <td>±0.35</td> <td>±0.20</td> <td>±0.30</td> <td>±0.30</td> </tr> <tr> <td>±0.75</td> <td>±0.50</td> <td>±0.30</td> <td>±0.45</td> <td>±0.45</td> </tr> <tr> <td>±1.00</td> <td>±0.75</td> <td>±0.50</td> <td>±0.70</td> <td>±0.70</td> </tr> <tr> <td>±1.50</td> <td>±1.10</td> <td>±0.75</td> <td>±1.00</td> <td>±1.00</td> </tr> <tr> <td>±2.00</td> <td>±1.50</td> <td>±1.00</td> <td>±1.50</td> <td>±1.50</td> </tr> </tbody> </table> | | Dev | Flan | Medio | Clase | Very Coarse | ±0.25 | ±0.15 | ±0.10 | ±0.15 | ±0.15 | ±0.35 | ±0.25 | ±0.15 | ±0.20 | ±0.20 | ±0.50 | ±0.35 | ±0.20 | ±0.30 | ±0.30 | ±0.75 | ±0.50 | ±0.30 | ±0.45 | ±0.45 | ±1.00 | ±0.75 | ±0.50 | ±0.70 | ±0.70 | ±1.50 | ±1.10 | ±0.75 | ±1.00 | ±1.00 | ±2.00 | ±1.50 | ±1.00 | ±1.50 | ±1.50 | <table border="1"> <thead> <tr> <th>Dev</th> <th>Flan</th> <th>Medio</th> <th>Clase</th> <th>Very Coarse</th> </tr> </thead> <tbody> <tr> <td>±0.25</td> <td>±0.15</td> <td>±0.10</td> <td>±0.15</td> <td>±0.15</td> </tr> <tr> <td>±0.35</td> <td>±0.25</td> <td>±0.15</td> <td>±0.20</td> <td>±0.20</td> </tr> <tr> <td>±0.50</td> <td>±0.35</td> <td>±0.20</td> <td>±0.30</td> <td>±0.30</td> </tr> <tr> <td>±0.75</td> <td>±0.50</td> <td>±0.30</td> <td>±0.45</td> <td>±0.45</td> </tr> <tr> <td>±1.00</td> <td>±0.75</td> <td>±0.50</td> <td>±0.70</td> <td>±0.70</td> </tr> <tr> <td>±1.50</td> <td>±1.10</td> <td>±0.75</td> <td>±1.00</td> <td>±1.00</td> </tr> <tr> <td>±2.00</td> <td>±1.50</td> <td>±1.00</td> <td>±1.50</td> <td>±1.50</td> </tr> </tbody> </table> | | Dev | Flan | Medio | Clase | Very Coarse | ±0.25 | ±0.15 | ±0.10 | ±0.15 | ±0.15 | ±0.35 | ±0.25 | ±0.15 | ±0.20 | ±0.20 | ±0.50 | ±0.35 | ±0.20 | ±0.30 | ±0.30 | ±0.75 | ±0.50 | ±0.30 | ±0.45 | ±0.45 | ±1.00 | ±0.75 | ±0.50 | ±0.70 | ±0.70 | ±1.50 | ±1.10 | ±0.75 | ±1.00 | ±1.00 | ±2.00 | ±1.50 | ±1.00 | ±1.50 | ±1.50 | FAGOR FAGOR INDUSTRIAL | |
| Dev | Flan | Medio | Clase | Very Coarse | | | | | | | | | | | | | | | | | | | | | | | | | | | | | | | | | | | | | | | | | | | | | | | | | | | | | | | | | | | | | | | | | | | | | | | | | | | | | | | | | |
| ±0.25 | ±0.15 | ±0.10 | ±0.15 | ±0.15 | | | | | | | | | | | | | | | | | | | | | | | | | | | | | | | | | | | | | | | | | | | | | | | | | | | | | | | | | | | | | | | | | | | | | | | | | | | | | | | | | |
| ±0.35 | ±0.25 | ±0.15 | ±0.20 | ±0.20 | | | | | | | | | | | | | | | | | | | | | | | | | | | | | | | | | | | | | | | | | | | | | | | | | | | | | | | | | | | | | | | | | | | | | | | | | | | | | | | | | |
| ±0.50 | ±0.35 | ±0.20 | ±0.30 | ±0.30 | | | | | | | | | | | | | | | | | | | | | | | | | | | | | | | | | | | | | | | | | | | | | | | | | | | | | | | | | | | | | | | | | | | | | | | | | | | | | | | | | |
| ±0.75 | ±0.50 | ±0.30 | ±0.45 | ±0.45 | | | | | | | | | | | | | | | | | | | | | | | | | | | | | | | | | | | | | | | | | | | | | | | | | | | | | | | | | | | | | | | | | | | | | | | | | | | | | | | | | |
| ±1.00 | ±0.75 | ±0.50 | ±0.70 | ±0.70 | | | | | | | | | | | | | | | | | | | | | | | | | | | | | | | | | | | | | | | | | | | | | | | | | | | | | | | | | | | | | | | | | | | | | | | | | | | | | | | | | |
| ±1.50 | ±1.10 | ±0.75 | ±1.00 | ±1.00 | | | | | | | | | | | | | | | | | | | | | | | | | | | | | | | | | | | | | | | | | | | | | | | | | | | | | | | | | | | | | | | | | | | | | | | | | | | | | | | | | |
| ±2.00 | ±1.50 | ±1.00 | ±1.50 | ±1.50 | | | | | | | | | | | | | | | | | | | | | | | | | | | | | | | | | | | | | | | | | | | | | | | | | | | | | | | | | | | | | | | | | | | | | | | | | | | | | | | | | |
| Dev | Flan | Medio | Clase | Very Coarse | | | | | | | | | | | | | | | | | | | | | | | | | | | | | | | | | | | | | | | | | | | | | | | | | | | | | | | | | | | | | | | | | | | | | | | | | | | | | | | | | |
| ±0.25 | ±0.15 | ±0.10 | ±0.15 | ±0.15 | | | | | | | | | | | | | | | | | | | | | | | | | | | | | | | | | | | | | | | | | | | | | | | | | | | | | | | | | | | | | | | | | | | | | | | | | | | | | | | | | |
| ±0.35 | ±0.25 | ±0.15 | ±0.20 | ±0.20 | | | | | | | | | | | | | | | | | | | | | | | | | | | | | | | | | | | | | | | | | | | | | | | | | | | | | | | | | | | | | | | | | | | | | | | | | | | | | | | | | |
| ±0.50 | ±0.35 | ±0.20 | ±0.30 | ±0.30 | | | | | | | | | | | | | | | | | | | | | | | | | | | | | | | | | | | | | | | | | | | | | | | | | | | | | | | | | | | | | | | | | | | | | | | | | | | | | | | | | |
| ±0.75 | ±0.50 | ±0.30 | ±0.45 | ±0.45 | | | | | | | | | | | | | | | | | | | | | | | | | | | | | | | | | | | | | | | | | | | | | | | | | | | | | | | | | | | | | | | | | | | | | | | | | | | | | | | | | |
| ±1.00 | ±0.75 | ±0.50 | ±0.70 | ±0.70 | | | | | | | | | | | | | | | | | | | | | | | | | | | | | | | | | | | | | | | | | | | | | | | | | | | | | | | | | | | | | | | | | | | | | | | | | | | | | | | | | |
| ±1.50 | ±1.10 | ±0.75 | ±1.00 | ±1.00 | | | | | | | | | | | | | | | | | | | | | | | | | | | | | | | | | | | | | | | | | | | | | | | | | | | | | | | | | | | | | | | | | | | | | | | | | | | | | | | | | |
| ±2.00 | ±1.50 | ±1.00 | ±1.50 | ±1.50 | | | | | | | | | | | | | | | | | | | | | | | | | | | | | | | | | | | | | | | | | | | | | | | | | | | | | | | | | | | | | | | | | | | | | | | | | | | | | | | | | |
| DESIGNED BY: M. Maillo | | VALIDATED BY: A.G. | | DATE: 11.11.2015 | | | | | | | | | | | | | | | | | | | | | | | | | | | | | | | | | | | | | | | | | | | | | | | | | | | | | | | | | | | | | | | | | | | | | | | | | | | | | | | | | |
| 12130753 | | LAVAVAJILLAS | | SHEET: 1 / 1 | | | | | | | | | | | | | | | | | | | | | | | | | | | | | | | | | | | | | | | | | | | | | | | | | | | | | | | | | | | | | | | | | | | | | | | | | | | | | | | | | |
| PROPOSED BY: M. MAILLO | | ISSUE DATE: | | SCALE: | | | | | | | | | | | | | | | | | | | | | | | | | | | | | | | | | | | | | | | | | | | | | | | | | | | | | | | | | | | | | | | | | | | | | | | | | | | | | | | | | |

LEYENDA CAPOTA

| | ESPAÑOL | FRANÇAIS | ENGLISH | DEUTSCH | ITALIANO | 中文 |
|------------|-----------------------------------|---------------------------------|------------------------------|---|---|------------|
| Ⓐ Ⓑ | Puntos de conexión con R | Points de connexion R | Conection point with R | Anschlußpunkte mit R | Punti di collegamento con R | 带R接触点 |
| BD | Bomba desagüe | Pompe de vidange | Drain pump | Abflußpumpe | Pompa scarico | 排水泵 |
| C 1/2/3 | Condensador | Condensateur | Condenser | Kondensator | Condensatore | 电容 |
| CMB | Contactora bomba lavado | Contacteur pompe lavage | Wash pump contactor | Kontaktschütz Waschpumpe | Contattore pompa lavaggio | 清洗泵接触器 |
| Cc 1/2 | Contactora calentamiento calderin | Contacteur chauff. surchauffeur | Boiler heating contactor | Kontaktschütz Boilerheizung | Contattore riscaldamento boiler | 升温箱加热接触器 |
| Ct | Contactora calentamiento tanque | Contacteur chauffage cuve | Tank heating contactor | Kontaktschütz Heizung Tank | Contattore riscaldamento serbatoio | 水箱加热接触器 |
| CP | Rele puerta | Relais porte | Door relay | Türrelais | Rele porta | 门继电器 |
| Ds.Det. | Dosificador detergente | Dosseur de detergent | Detergent doser | Dosierer Spülmittel | Dosatore detersivo | 清洗剂药液泵 |
| E.B | Electrobomba de presión | Electropompe de pression | Electric pressure pump | Elektro-Drucksteigerungspumpe | Electropompa pressione | 电子压力泵 |
| IG | Interruptor general | Interrupteur general | Main switch | Hauptschalter | Interruttore generale | 主开关 |
| IP | Micro puerta | Micro porte | Door microswitch | Mikroschalter Tür | Micro porta | 门磁开关 |
| L1 | Piloto de encendido | Voyant fonctionnement | Operation light | Betriebsanzeigelampe | Spia accensione | 运行指示灯 |
| L2 | Piloto marcha | Voyant demarrage | Start light | Startanzeigelampe | Spia avvio | 开始指示灯 |
| L3 | Piloto maquina preparada | Voyant machine prêt | Light machine ready | Betriebsbereitschaftsanzeigelampe | Pilota macchina preparata | 加热完成 指示灯 |
| MBL 1/2 | Bomba lavado | Pompe lavage | Wash pump | Waschpumpe | Pompa lavaggio | 清洗泵 |
| M | Motor programador | Moteur du programmeur | Motor programmer | Motor Programmiervorrichtung | Motore programmatore | 程序电机 |
| M Av. R | Motor program. avance rapido | Moteur du progr.avance rapide | Motor program. rapid advance | Motor Programmiervorrich. schneller Vorlauf | Motore programmatore avanzamento rapido | 程序电机. 高速高级 |
| M1 | Micro programador marcha | Micro du programm. de marche | Micro programmer on | Motor Programmiervorrich. Betrieb | Micro programma. di funzionamento | 微程序 开 |
| M2 | Micro programador lavado | Micro du programm. de lavage | Micro programmer wash | Motor Programmiervorrich. Waschen | Micro programmatore di lavaggio | 微程序 清洗 |
| M3 | Micro programador aclarado | Micro du programm. de rinçage | Micro programmer on | Motor Programmiervorrich. Spülen | Micro programmatore di risciacquo | 微程序 喷淋 |
| M4 | Micro programador Termo-stop | Micro du programm. Thermo-stop | Micro programmer Thermo-stop | Motor Programmiervorrich. Thermo-Stop | Micro programmatore Thermo-stop | 微程序 加热停止 |
| M5 | Micro programador avance | Micro du programm. avance | Micro programmer advance | Motor Programmiervorrich. Vorlauf | Micro programmatore avanzamento | 微程序 高级 |
| M6 | Micro programador avance | Micro du programm. avance | Micro programmer advance | Motor Programmiervorrich. Vorlauf | Micro programmatore avanzamento | 微程序 高级 |
| P, P1, P5 | Presostato | Pressostat | Pressure switch | Druckwächter | Pressostato | 压力开关 |
| P2, P3, P4 | Presostato limitador | Pressostat de sécurité | Hi-limit pressure switch | Begrenzer Druckwächter | Pressostato limitatore | 高水位限制 压力开关 |
| R | Rele de Generador de A.C. | Relais du Generateur | Generator rele | Relais Generator | Rele Generatore | 热水供应器继电器 |
| Ⓐ Ⓑ | Toma de alimentac. Generador A.C. | Alimentation generateur | Water heater feeding | Stromversorgungsanschluß Gener. | Alimentazione generatore | 热水供应器电源线 |
| RC | Resistencia calderin | Resistance surchauffeur | Boiler heating element | Heizwiderstand Boiler | Resistenza boiler | 升温箱加热管 |
| RT | Resistencia tanque | Resistance cuve | Tank heater | Heizwiderstand Tank | Resistenza serbatoio | 水箱加热管 |
| Tt | Termostato tanque | Thermostat de cuve | Tank thermostat | Thermostat Tank | Termostato serbatoio | 水箱温控器 |
| TC | Termostato calderin | Thermostat surchauffeur | Boiler thermostat | Thermostat kessel | Termostato boiler | 升温箱温控器 |
| Tst | Limitador tanque | Limiteur de cuve | Tank limiter | Begrenzer Tank | Limitatore serbatoio | 水箱安全温控器 |
| TSC | Limitador calderin | Limiteur surchauffeur | Boiler Hi-limit | Begrenzer Boiler | Limitatore boiler | 升温箱安全温控器 |
| TSTP | Termostato termo-stop | Thermostat Thermo-stop | Termo-stop Thermostat | Thermostat Thermo-stop | Termostato Thermo-stop | 温度停止温控器 |
| V | Electrovalvula llenado y aclarado | Electrovan. remplissage rinçage | Fill and rinse valve | Elektroventil Füllen und Spülen | Elettroval. riempimento e risciacquo | 电磁阀 |
| VE | Ventilador cuadro electrico | Ventilateur tableau électrique | Switchboard fan | Schalttafelventilator | Ventilatore quadro elettrico | 风机 |
| COLOR | COLORES | COULEURS | COLOUR | FARBEN | COLORE | 颜色 |
| a = | Azul | Bleu | Blue | Blau | Blu | 蓝色 |
| am = | Amarillo | Jaune | Yellow | Gelb | Giallo | 黄色 |
| am/ve = | Amarillo/verde | Jaune / vert | Yellow / green | Gelb/grün | Giallo/verde | 黄/绿 |
| b = | Bianco | Blanc | White | Weiß | Bianco | 白色 |
| g = | Gris | Gris | Grey | Grau | Grigio | 灰 |
| m = | Marrón | Marron | Brown | Braun | Marrone | 棕 |
| n = | Negro | Noir | Black | Schwarz | Nero | 黑 |
| na = | Naranja | Orange | Orange | Orange | Arancio | 橙 |
| r = | Rojo | Rouge | Red | Rot | Rosso | 红 |
| rs = | Rosa | Rose | Pink | Rosa | Roseo | 粉 |
| ve = | Verde | Vert | Green | Grün | Verde | 绿 |
| vi = | Violeta | Violet | Purple | Violett | Viola | 紫 |

Z-713036
12022197

HC-17400 - 1