



CLIMA HOSTELERÍA



- Product code:EMP.SKG.010

Stylish and professional design

Fast and Practical Use

All outer body is stainless steel

Ability to work with LPG and Ng.

Taps with magnet safety valve.

Special powerful grill.

double burner

It is easy to clean and hygienic.

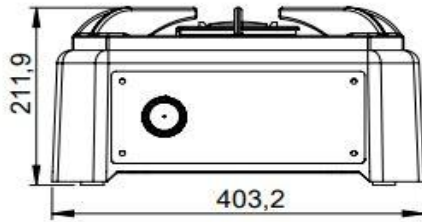
It has lateral angled edges.

Automatically Turns Off the Gas in Unintentional Extinguishments

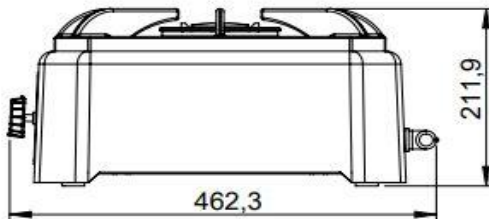
Thanks to Safety Valves

Impact Resistant Cast Iron Top Surface

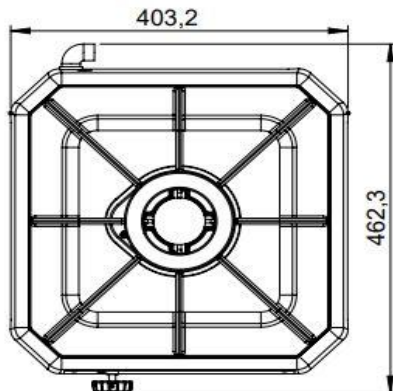
front



side



top



Basic knowledge

product length 405 mm

product depth 465 mm

product height 215 mm

Product Net Weight 10 kg

Packed length 500 mm

Packed depth 560 mm

Packed height 300 mm

Packed weight 12,5 kg

Total power 3,5 kw