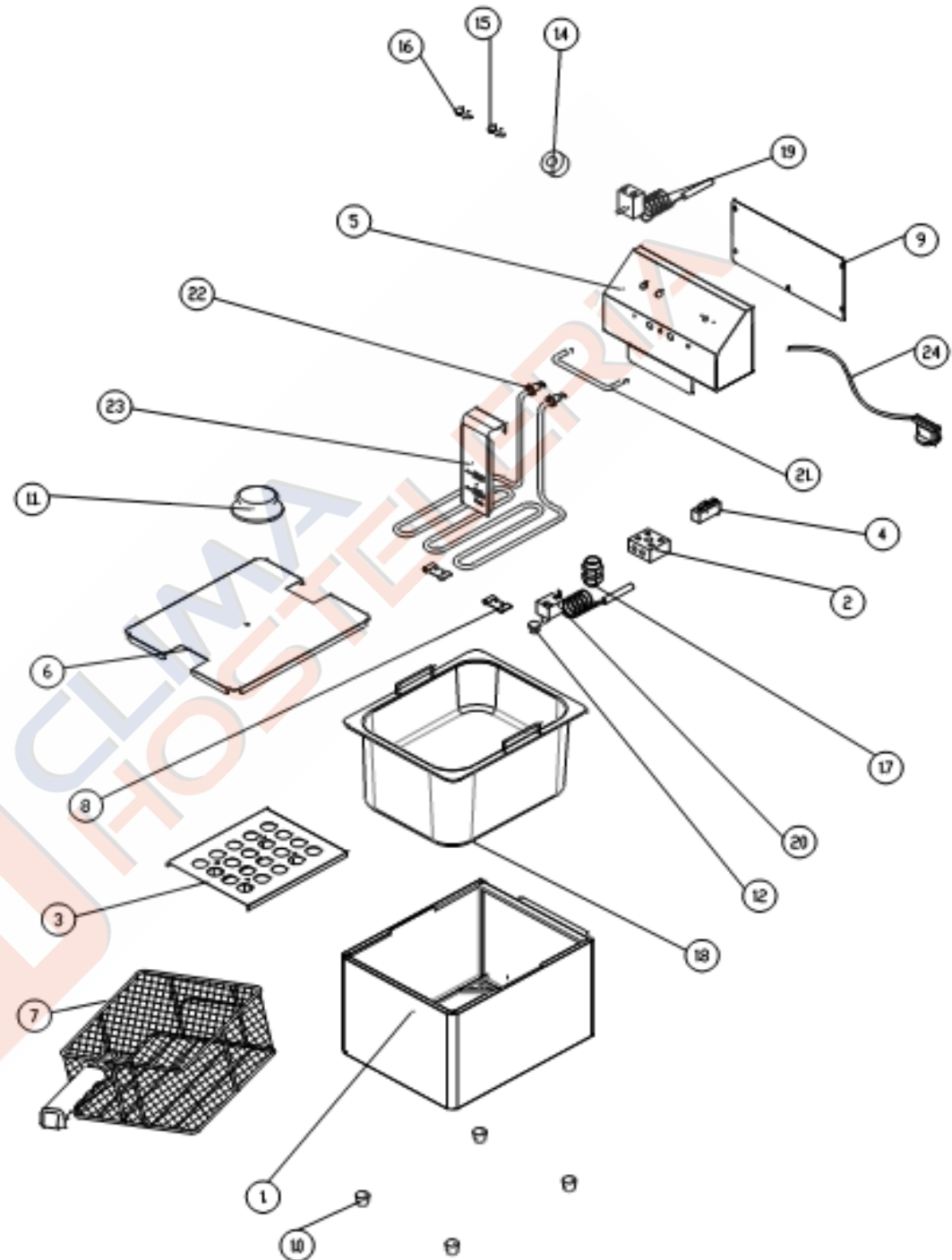


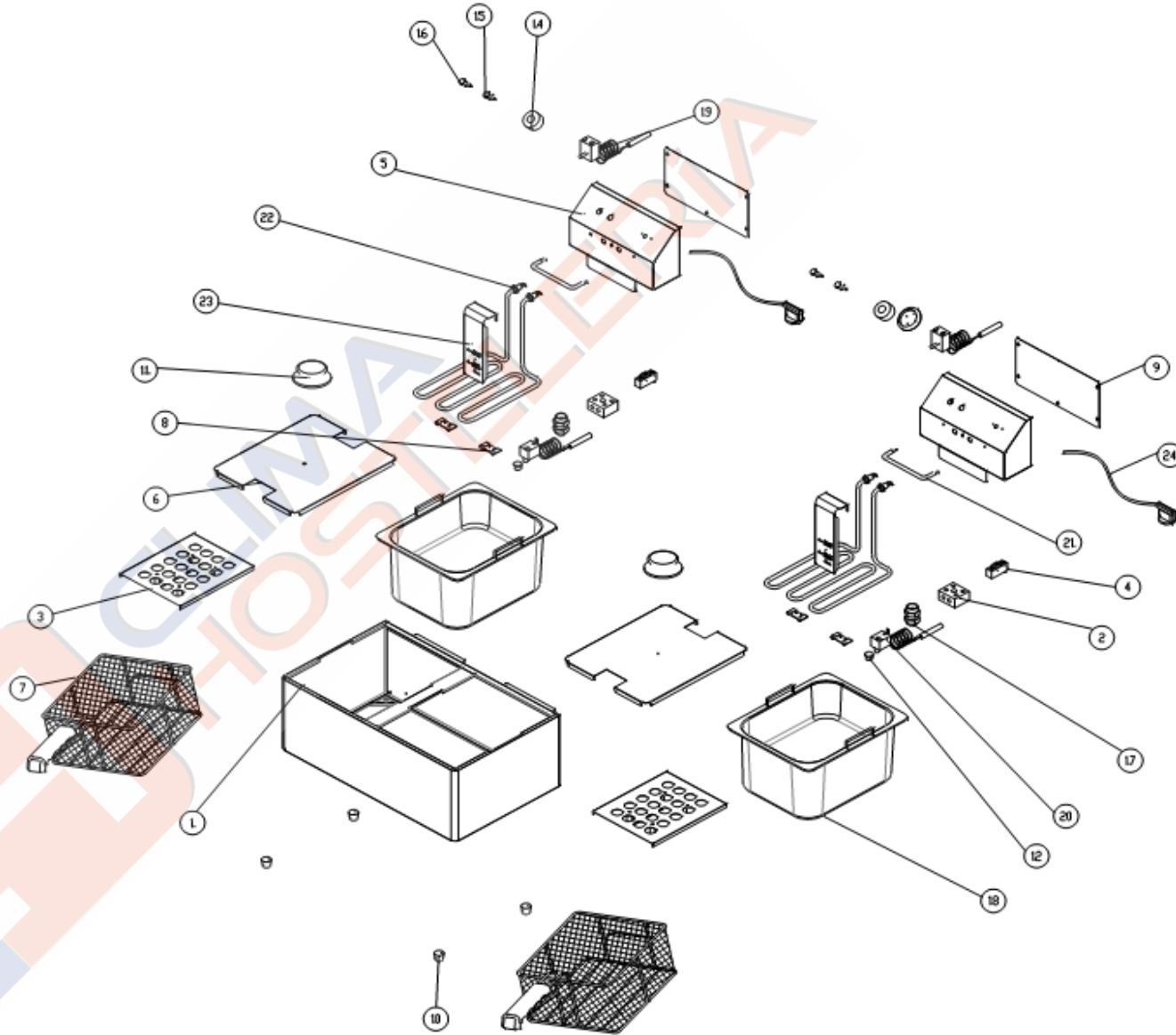
Electric Fryer (Model EF-6L)

No.	Part Name	Qty.
1	Body	1
2	Terminal block	1
3	Heater protective cover plate	1
4	Micro switch	1
5	Electrical box	1
6	Lid cover	1
7	Basket	1
8	Thermostat needle fixed plate	2
9	Back cover of electrical box	1
10	Rubber feet	4
11	Lid cover handle	1
12	Temperature limiter cap	1
14	Thermostat knob	1
15	Power indicator light	1
16	Heat indicator light	1
17	Power clamp	1
18	Oil Tank	1
19	Thermostat	1
20	Temperature limiter	1
21	Basket hinge bar	1
22	Heater	1
23	Oil level mark board	1
24	Power cord	1



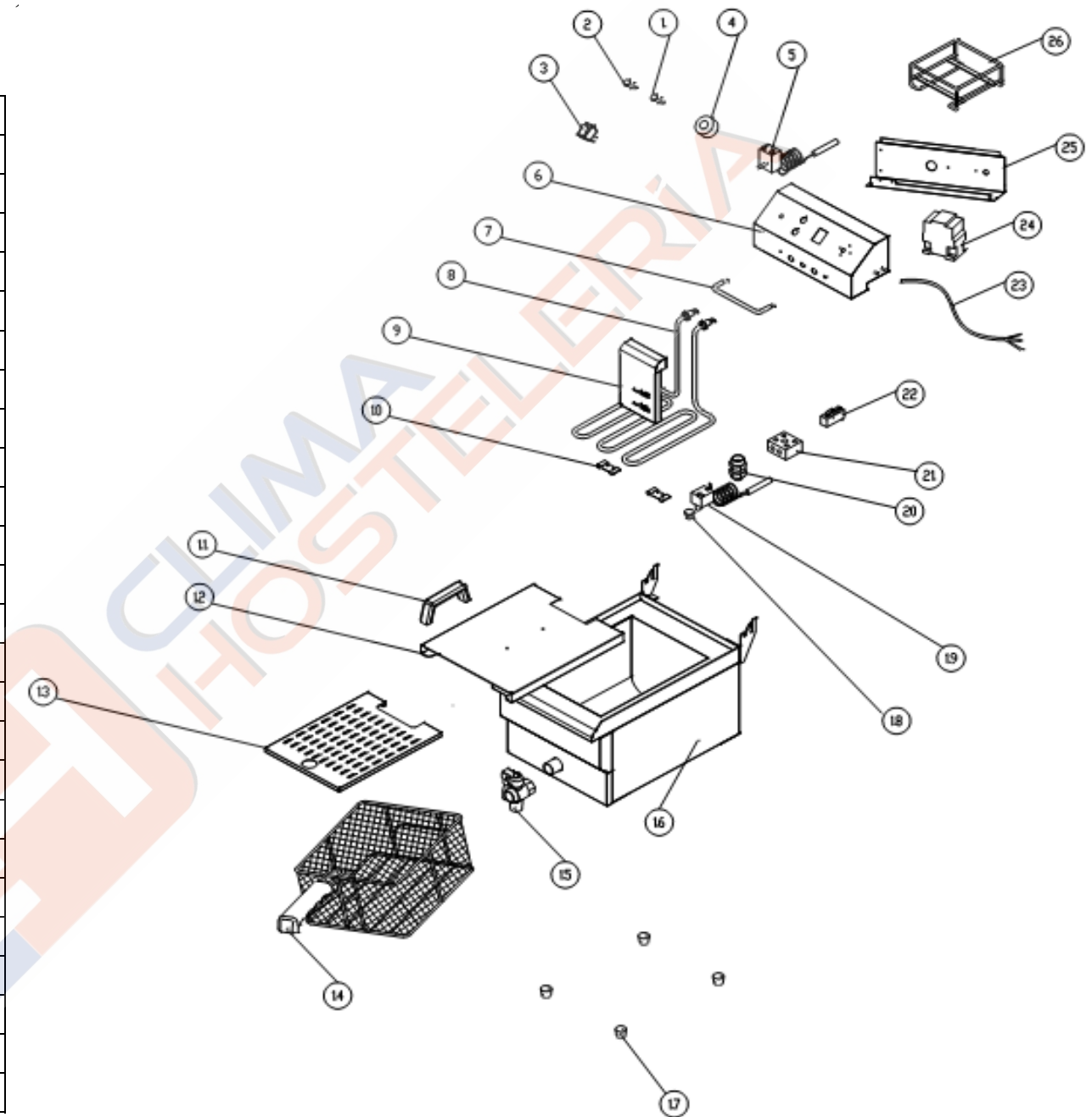
Electric Fryer (Model EF-6L-2,EF-8L-2)

No.	Part Name	Qty.
1	Body	1
2	Terminal block	2
3	Heater protective cover plate	2
4	Micro switch	2
5	Electrical box	2
6	Lid cover	2
7	Basket	2
8	Thermostat needle fixed plate	4
9	Back cover of electrical box	2
10	Rubber feet	4
11	Lid cover handle	2
12	Temperature limiter cap	2
14	Thermostat knob	2
15	Power indicator light	2
16	Heat indicator light	2
17	Power clamp	2
18	Oil Tank	2
19	Thermostat	2
20	Temperature limiter	2
21	Basket hinge bar	2
22	Heater	2
23	Oil level mark board	2
24	Power cord	2



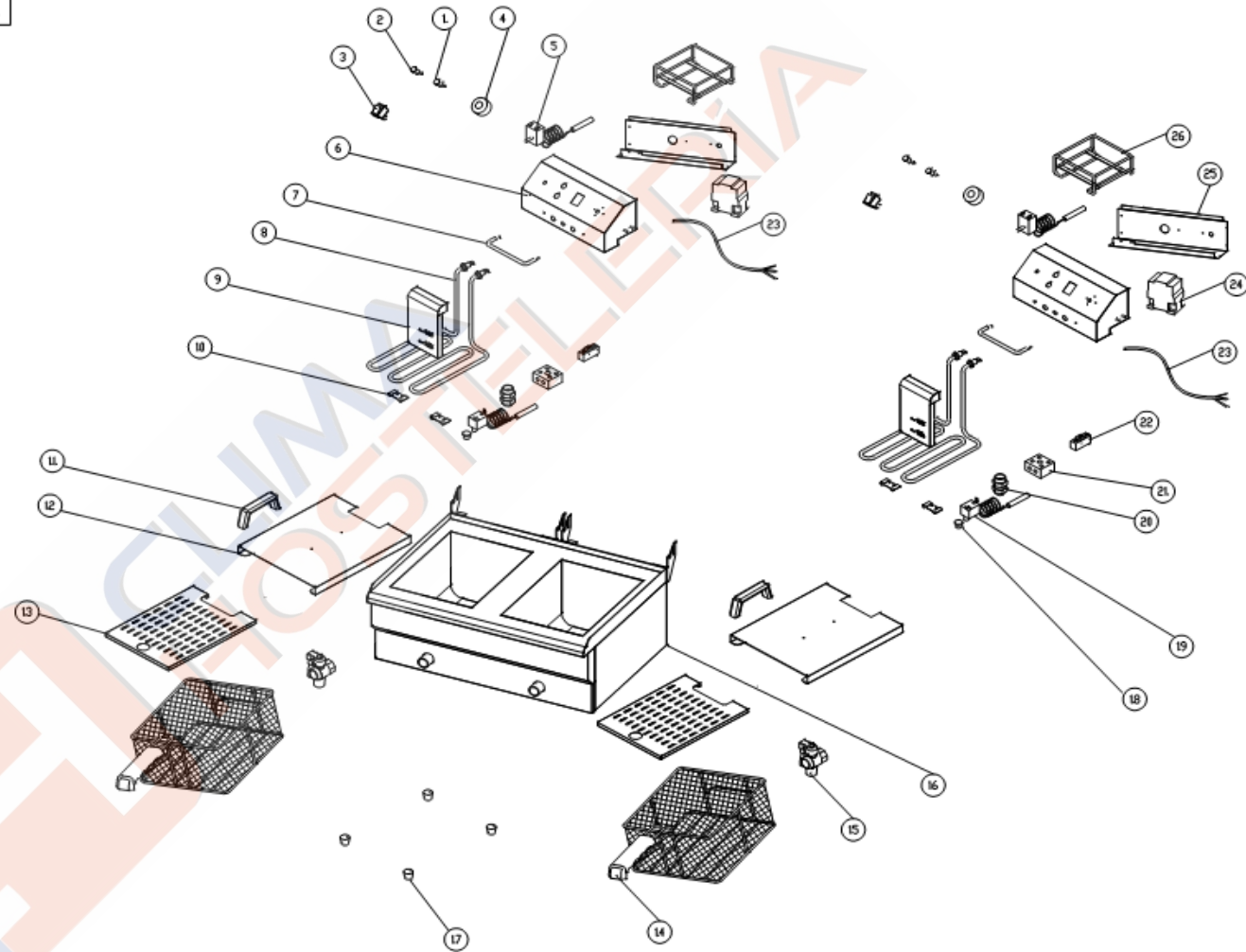
Electric Fryer (Model EF-101V,EF-161V)

No.	Part Name	Qty.
1	Heat indicator light	1
2	Power indicator light	1
3	Power switch	1
4	Thermostat knob	1
5	Thermostat	1
6	Electrical box	1
7	Basket hinge bar	1
8	Heater	1
9	Oil level mark board	1
10	Thermostat needle fixed plate	1
11	Lid cover handle	1
12	Lid cover	1
13	Heater protective cover plate	1
14	Basket	1
15	Oil valve	1
16	Body	1
17	Rubber feet	4
18	Temperature limiter cap	1
19	Temperature limiter	1
20	Power cord clamp	1
21	Terminal block	1
22	Micro switch	1
23	Power cord	1
24	AC contactor	1
25	Back cover of electrical box	1



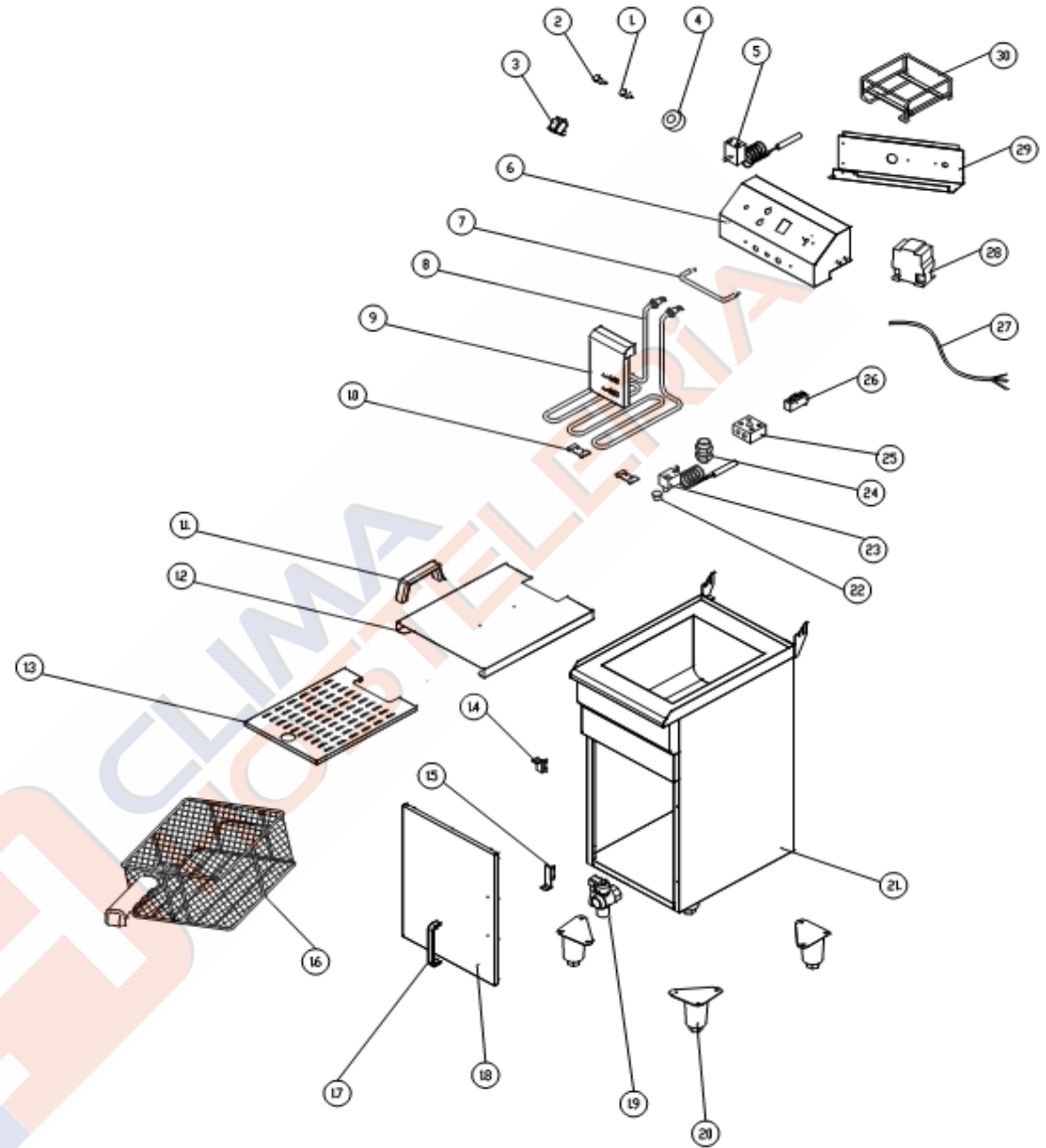
Electric Fryer (Model EF-102V,EF-162V)

No.	Part Name	Qty.
1	Heat indicator light	2
2	Power indicator light	2
3	Power switch	2
4	Thermostat knob	2
5	Thermostat	2
6	Electrical box	2
7	Basket hinge bar	2
8	Heater	2
9	Oil level mark board	2
10	Thermostat needle fixed plate	2
11	Lid cover handle	2
12	Lid cover	2
13	Heater protective cover plate	2
14	Basket	2
15	Oil valve	2
16	Body	1
17	Rubber feet	4
18	Temperature limiter cap	2
19	Temperature limiter	2
20	Power cord clamp	2
21	Terminal block	2
22	Micro switch	2
23	Power cord	2
24	AC contactor	2
25	Back cover of electrical box	1



Electric Fryer (Model EF-161VC)

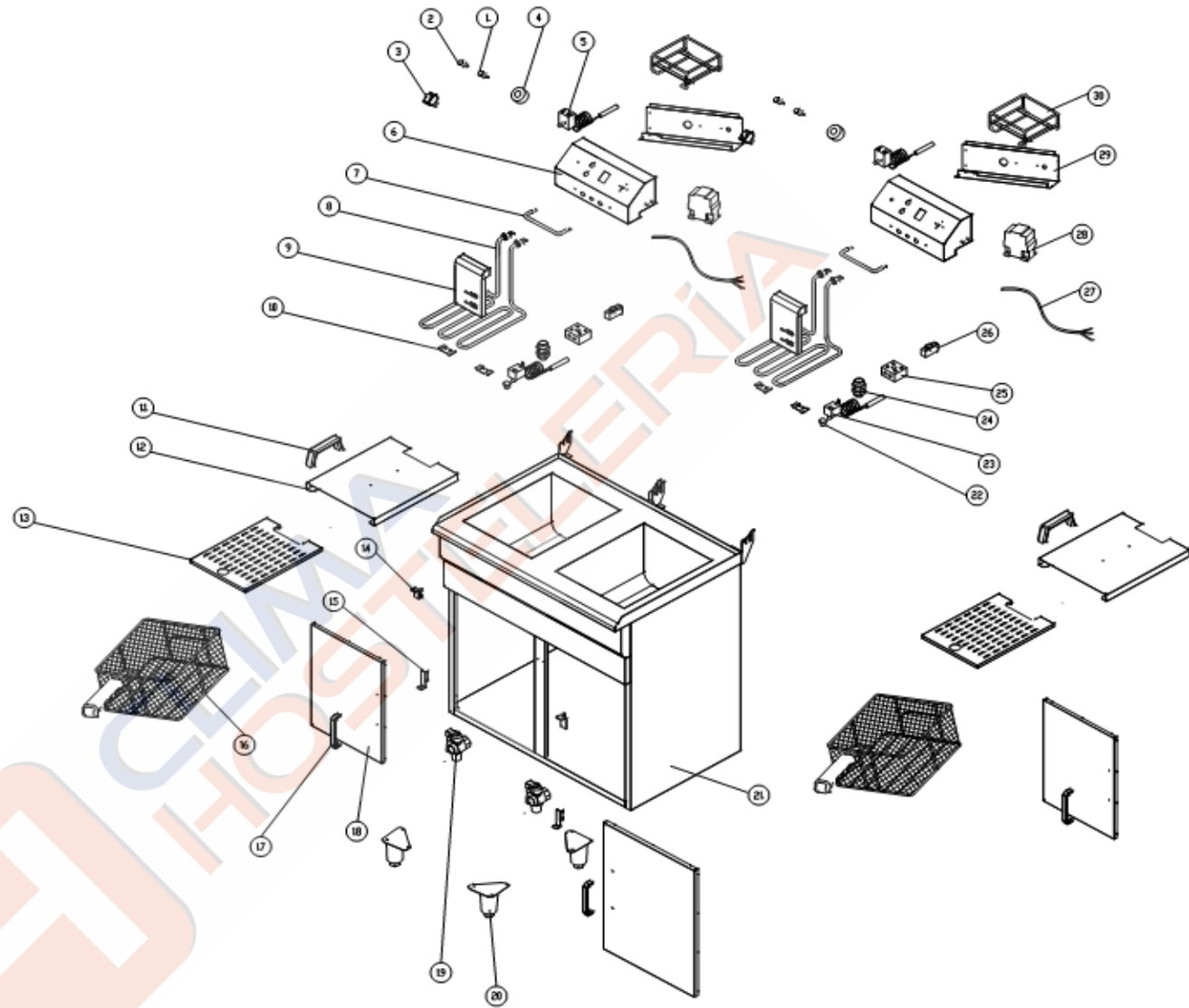
No.	Part Name	Qty.
1	Heat indicator light	1
2	Power indicator light	1
3	Power switch	1
4	Thermostat knob	1
5	Thermostat	1
6	Electrical box	1
7	Basket hinge bar	1
8	Heater	1
9	Oil level mark board	1
10	Thermostat needle fixed plate	2
11	Lid cover handle	1
12	Lid cover	1
13	Heater protective cover plate	1
14	Upper door axle	1
15	Lower door axle	1
16	Basket	1
17	Door handle	1
18	Door	1
19	Oil vavle	1
20	Metal Feet	4
21	Body	1
22	Temperature limiter cap	1
23	Temperature limiter	1
24	Power cord clamp	1
25	Terminal block	1



26	Micro switch	1
27	Power cord	1
28	AC contactor	1
29	Back cover of electrical box	1
30	Heater support bracket	1

Electric Fryer (Model EF-162VC)

No.	Part Name	Qty.
1	Heat indicator light	2
2	Power indicator light	2
3	Power switch	2
4	Thermostat knob	2
5	Thermostat	2
6	Electrical box	2
7	Basket hinge bar	2
8	Heater	2
9	Oil level mark board	2
10	Thermostat needle fixed plate	4
11	Lid cover handle	2
12	Lid cover	2
13	Heater protective cover plate	2
14	Upper door axle	2
15	Lower door axle	2
16	Basket	2
17	Door handle	2
18	Door	2
19	Oil vavle	2
20	Metal Feet	4
21	Body	2
22	Temperature limiter cap	2
23	Temperature limiter	2
24	Power cord clamp	2
25	Terminal block	2



26	Micro switch	2
27	Power cord	2
28	AC contactor	2
29	Back cover of electrical box	2
30	Heater support bracket	2