

# CLIMA HOSTELERÍA

Junex Professional appliances follow the market trends and represent a commitment to provide its most demanding costumers. High quality build, sturdiness, reliability, durability, ergonomics and easy cleaning are arguments that the brand Junex holds over time.

The 550 range was designed to guaranty high performances. Special designed equipment's to fulfill the needs of restaurant, hotels and catering companies that look for robust, efficient and compact solutions. Below are presented the following characteristic and technical data related to the Range Cooker



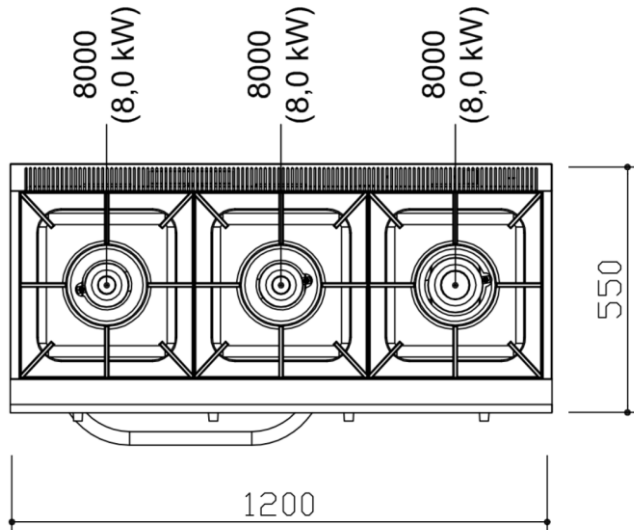
**Model: 6301 /1**

## CHARACTERISTICS

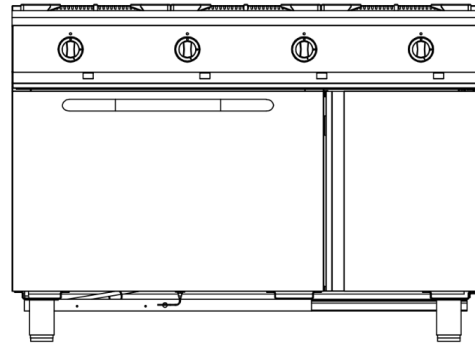
- Structure built in stainless steel.
- Brass double crown open burners fully equipped with thermocouple safety valves.
- Robust cast iron grid's for pan support.
- Drip tray for grease collection..
- Stainless steel flexible hose that supply's the burners with gas.
- Thermal insulated stainless steel natural convection oven.
- Glass fiber oven-seal.
- Enameled Oven bottom.
- Ergonomic Oven handle.
- Feet in stainless steel adjustable in height.
- Side cupboard for storage of kitchen utensils.
- Equipment ready to work with Butane (G30)/Propane gas (G31), supplied with Natural Gas (G20) Injectors for conversion.
- Supplied with an enameled GN1/1 Oven Grill and reduction grids for smaller confection utensils.
- GN 1/1 Oven trays supplied at request.
- All equipment's are built and certified with accordance to the norms and regulation specified by the CE.

**550 Range**  
**3 Open Burners Range Cooker with GN 1/1 Oven and side cupboard**

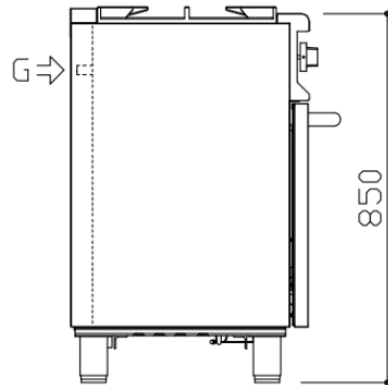
**TOP**



**FRONT**



**SIDE**



**TECNICAL DATA**

Model	6301 / 1
External dimentions (HxWxD) - mm	850x1200x550
Gas Supply	Propane/Butane Gas Natural Gas
Gas connection line	½"
Total Power - kW	4,5
Internal Oven dimension (HxWxD)-mm	380x538x415
Oven usefull volume - L	84
Total Power - kW	28,5
Total Consumption G20 - m <sup>3</sup> /h	3,014
Total Consumption G30 - Kg/h	2,245
Total Consumption G31 - Kg/h	2,212
Dimension of Cupboard (HxWxD)	490x400x450
Net Weight - Kg	136
Gross Weight - Kg	163
Volume - m <sup>3</sup>	0,951

**SUPPLYED ACESSORIES**

Enameled Oven Grill GN1/1  
 Reduction Grid

**OPCIONAL**

GN1/1 Tray in Stainless Steel

We reserve the right to change without notice the characteristics contained in this document, whether for technical and / or commercial reasons or as a result of printing errors.